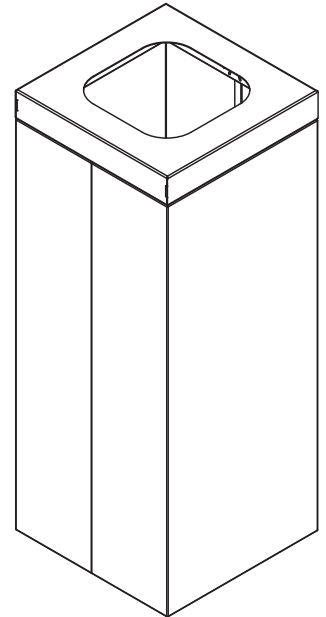
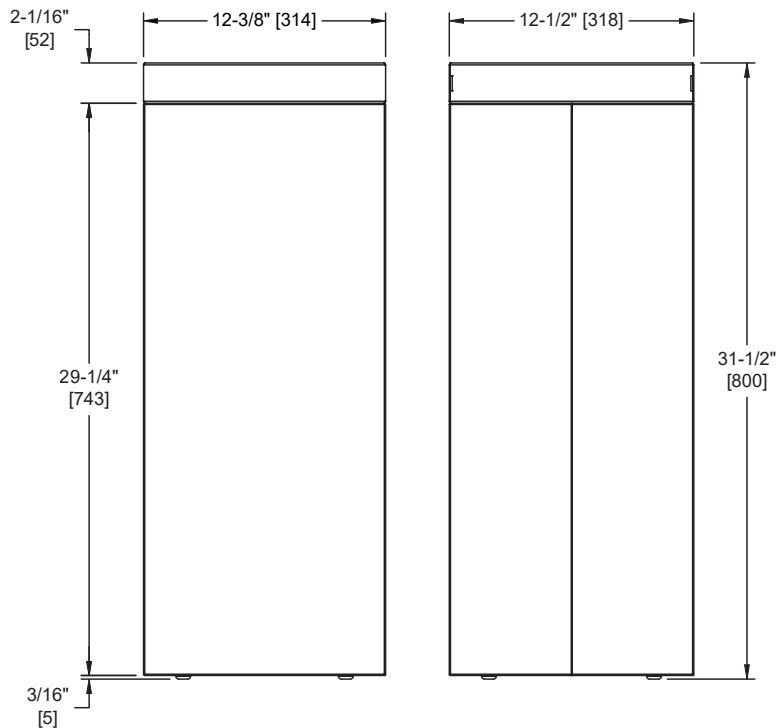


Waste Receptacle - 19 gal. - "Can Only" - Stainless Steel - Free Standing

Waste Receptacles

MasterFormat Section 10 28 13


 Scan for
 Information

SUSTAINABILITY/LEED

 MR 4.1 (1) MR 6 (1) EQ 4.2 (1)
 MR 4.2 (1) EQ 4.1 (1) EQ 4.4 (1)

NOTE:
 ALL DIM'S INCH [MM]
 ILLUSTRATION FOR REF ONLY AND NTS

PRODUCT OVERVIEW

Waste receptacle is fabricated of 22 gauge type 304 stainless steel and holds 19 gallons (72 L) of waste material. Top is removable for easy maintenance and bottom is equipped with four (4) black rubber feet.

KEY FEATURES & SPECIFICATIONS

- High Capacity open top waste receptacle can be retro-fitted with a dual door swing top
- Swing Top (0834/0839) sold separately
- 22 gauge Type 304 stainless steel - Satin Finish
- Receptacle base has 4 non-skid tips to prevent unwanted sliding
- Free Standing - Mobile
- Can Only
- 19 gal. (72L)

**Model #0839****Technical Data Sheet****OPERATION & MAINTENANCE**

Waste material is deposited into the receptacle through top opening. Use of a disposable trash liner bag recommended. The disposal bag is emptied of waste material on a cycle determined by maintenance needs by removing top assembly.

TECHNICAL INFORMATION / PRODUCT PROPERTIES

Property	Value
Dimensions	12-3/8" [314] W x 32" [800] H x 12-1/2" [318] D
Construction	Type 304 Stainless Steel - Satin Finish
Mounting	Floor Standing
Capacity	19 gal. (72L)

INSTALLATION

Waste receptacle is free standing and should be placed in appropriate position on finished floor.

OPTIONS**WARRANTY**

One (1) Year from date of Invoice