



Model 407 — Recessed for 4" Deep Wall

Model 407-11 — Surface-Mounted (projects 4½")

Contemporary Series — Satin Finish

Product Materials

CABINET: Fabricated of 22-gauge stainless steel with exposed surfaces in architectural satin finish. All welded construction.

DOOR: Fabricated of 18-gauge stainless steel with exposed surfaces in architectural satin finish. Secured with full-length piano hinge and two tumbler locks keyed like other Bradley accessory units.

COIN BOX: Fabricated of 22-gauge stainless steel. Secured with tumbler lock keyed differently than door for security. Coin mechanisms are available with Free, \$0.25 or Canadian \$0.25 denomination.

Capacity

18 napkins (3" x 4-1/4" x 1" box) and 28 tampons (5-1/8" long x 3/4" diameter tube). Dispenses most popular brands.

Operation

Insertion of coin permits clockwise rotation of handle to dispense product. Unit will not accept coin when product is empty. Access door allows refilling of product and emptying of coin box.

Installation

Verify all rough-in dimensions prior to installation.

Recessed Unit: Requires rough wall opening 16-1/8"W x 27-7/8"H x 4"D (fully recessed). Insert cabinet into wall opening and secure to framing (by installer) with included screws through holes provided. Shim at screw points as required.

Surface Unit: Secure cabinet to wall with screws (not included) at holes provided.

Guide Specification

Surface and recessed combination napkin/tampon vendor shall be fabricated of 22-gauge stainless steel with exposed surfaces in satin finish. Door shall be fabricated of 18-gauge stainless steel with a full-length piano hinge and two tumbler locks keyed like other Bradley units. Coin box shall be secured with differently keyed lock for extra security. Two coin mechanisms shall permit dispensing 18 napkins and 28 tampons with Free, \$0.25 or Canadian \$0.25 denomination.

Overall dimensions: 17-1/4"W x 29-1/8"H x 4-3/8"D



Select Model

Currency	Description	Suffix
US	Free BradEX [®]	-40
US	25¢ BradEX [®]	-45
Foreign	Canadian 25¢	

Orders composed of products indicated as **BradEX**[®] will be available to ship in three days after receipt of order at the factory. There is no pricing penalty for this service from Bradley.



A WATTS Brand

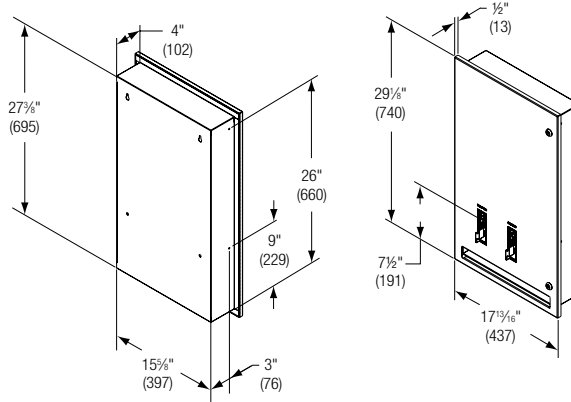
407

Napkin/Tampon Vendor

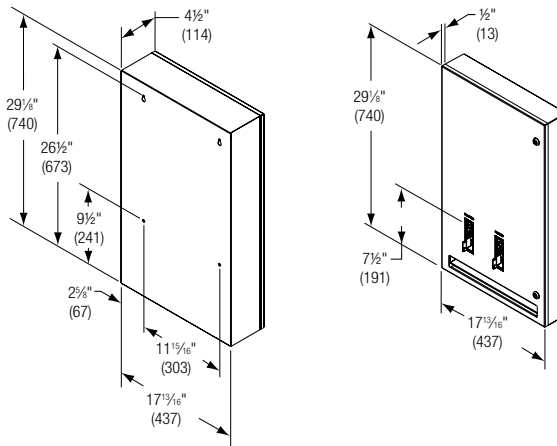
Dimensions

(mm)

Recessed



Surface-Mounted



Orders composed of products indicated as **BradEX**® will be available to ship in three days after receipt of order at the factory. There is no pricing penalty for this service from Bradley.

Page 2 of 2

3/15/2024

[View Latest Version](#)

This information is subject to change without notice.

Bradley_Vendor_407_11

© 2024 Bradley
P.O. Box 309, Menomonee Falls, WI 53052-0309
800 BRADLEY (800 272 3539) +1 262 251 6000
bradleycorp.com