



Fix tilt mirror with welded corners:

- Standard Model 740-1830 (18" x 30") **Bradex**<sup>®</sup>
- Standard Model 740-1836 (18" x 36") **Bradex**<sup>®</sup>
- Standard Model 740-2436 (24" x 36") **Bradex**<sup>®</sup>
- Model 740-XXXX (Specify width and height)

Product Materials

**FRAME:** 20 gauge stainless steel, corners welded and ground smooth to satin finish. 20 gauge angle stiffeners welded to frame provide additional rigidity.

**BACK:** galvanized steel, secured to frame with concealed screws equipped with integral horizontal hanging brackets.

**MIRROR:** first quality 1/4" float glass, thermosetting infrared-cured paint backing with Poly-Glaze protective finish. Manufactured in accordance with ASTM C 1036 and ASTM C 1503. The back of the mirror is protected by a wedge of extruded polystyrene, which is placed between the mirror and the galvanized steel.

**WALL HANGER:** 18 gauge cold-rolled steel, all welded construction to form rigid template.



Optional Features

Features	Suffix
1/4" tempered glass mirror in lieu of polished float glass mirror*	-2
Laminate glass	-3
Highly polished No. 8 architectural finish, 20 gauge stainless steel in lieu of polished float glass mirror	-4
Bright annealed 20 gauge stainless steel in lieu of polished float glass mirror	-5
Plexiglas <sup>®</sup>	-6

\*Either the Length (L) or the Width (W) must be greater than 25".

- An inherent characteristic of a manufacturing process for tempered glass is distortion which may vary from mirror to mirror.
- Stainless steel mirrors will differ in optic quality from glass mirrors.
- In larger sizes, stainless mirrors are subject to distortion and/or "oil canning" for which Bradley Corporation cannot accept responsibility.
- Bradley mirrors are not field interchangeable from horizontal to vertical or vice versa. **Always specify width first.**

Installation

Verify all rough-in dimensions prior to installation. Secure concealed mounting bracket to wall with screws (not included) at holes provided. Provide in-wall backing at mounting screw locations. Position mirror over mounting bracket to engage hanger tabs. Slide mirror down and lock into position.

Orders composed of products indicated as **Bradex**<sup>®</sup> will be available to ship in three days after receipt of order at the factory. There is no pricing penalty for this service from Bradley.

Page 1 of 2 11/11/2020 This information is subject to change without notice. Bradley\_Mirror\_740

[View Latest Version](#)

Guide Specification

Fixed tilt mirror shall be framed with 20 gauge stainless steel with 20 gauge concealed stiffeners. Welded corners shall be polished to a uniform satin finish. Mirror shall be of first quality 1/4" float glass guaranteed for 15 years against silver spoilage and protected by a shock-absorbing, waterproof foam filler with Poly-Glaze protective finish. Back of unit shall be galvanized steel secured to frame with concealed screws, equipped with integral horizontal hanging brackets and separate wall hanger for concealed mounting.

**Fixed Tilt Framed Mirror shall be Bradley Model 740-\_\_\_\_\_ " W x \_\_\_\_\_ " H (specify width and height).**

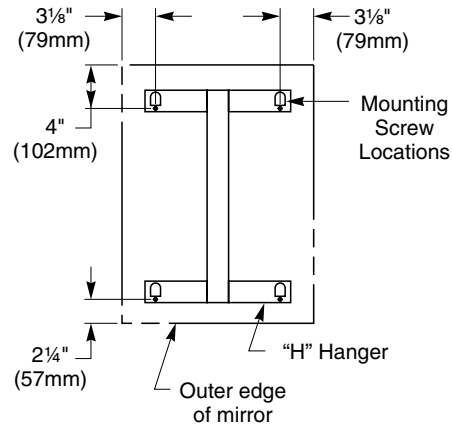
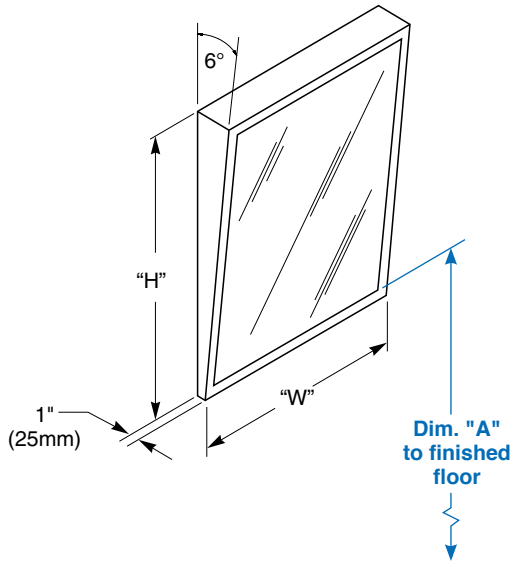
ADA Compliant

- Consult local and national accessibility codes for proper installation guidelines.
- Conformity and compliance to local and national codes is the responsibility of the installer.

© 2020 Bradley P.O. Box 309, Menomonee Falls, WI 53052-0309 800 BRADLEY (800 272 3539) +1 262 251 6000 bradleycorp.com



**Dimensions**



**Bradex® Models**

Width (Inches) W	Height (Inches) H	Overall Dimension (Inches)	Overall Dimensions (Millimeters)	Standard Model Number
18"	30"	18 x 30	457 x 762	740-1830
18"	36"	18 x 36	457 x 914	740-1836
24"	36"	24 x 36	610 x 914	740-2436

Model 740 series angle framed mirrors can be fabricated to a maximum size of 48"W x 48"H.

<b>Dim. "A" Key Surface:</b>	For Dim. "A"	Bottom of Unit
Mirror's bottom edge of the reflecting surface to finished floor	40" (1016mm)	39 1/4" (997mm)
	37" (940mm)	36 1/4" (921mm)
	34" (864mm)	33 1/4" (845mm)
<b>Rough wall opening:</b>		
Surface Mount:	No rough wall opening, see overall dimensions	

Orders composed of products indicated as **Bradex®** will be available to ship in three days after receipt of order at the factory. There is no pricing penalty for this service from Bradley.

Page 2 of 2  
 11/11/2020  
 This information is subject to change without notice.  
 Bradley\_Mirror\_740

[View Latest Version](#)

© 2020 Bradley  
 P.O. Box 309, Menomonee Falls, WI 53052-0309  
 800 BRADLEY (800 272 3539) +1 262 251 6000  
 bradleycorp.com