

Installation and Maintenance Guide

Elvari™ Folded Paper Towel Dispenser

2B1 Series

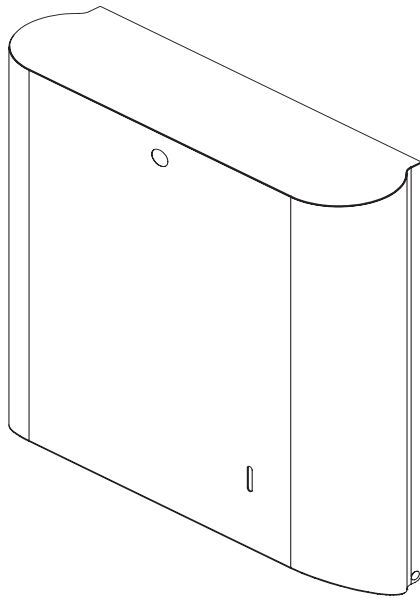


Table of Contents

Safety Information	2
Dimensions.....	2-3
Installing the Towel Dispenser.....	4
Maintenance and Cleaning.....	5



[Scan or click code to view Installation Guide \(English\)](#)



[Scan or click code to view Installation Guide \(French\)](#)



[Scan or click code to view Installation Guide \(Spanish\)](#)



Read the instructions in this manual before beginning installation. Save these instructions and refer to them for operation and maintenance information.

For questions regarding the operation, installation, or maintenance of this product, visit bradleycorp.com or call 800.BRADLEY (800.272.3539). Product warranties and parts information may also be found under "Resources" on our website at bradleycorp.com.



Safety Information

WARNING

The folded towel dispenser assembly is no stronger than the anchors and walls to which they are attached, and therefore, must be firmly secured in order support the intended load requirements. To avoid potential injury, the building owner or maintenance personnel should remove the dispenser assembly from service if the mounting is not adequately secured to the wall or if there are any observed product defects.

IMPORTANT

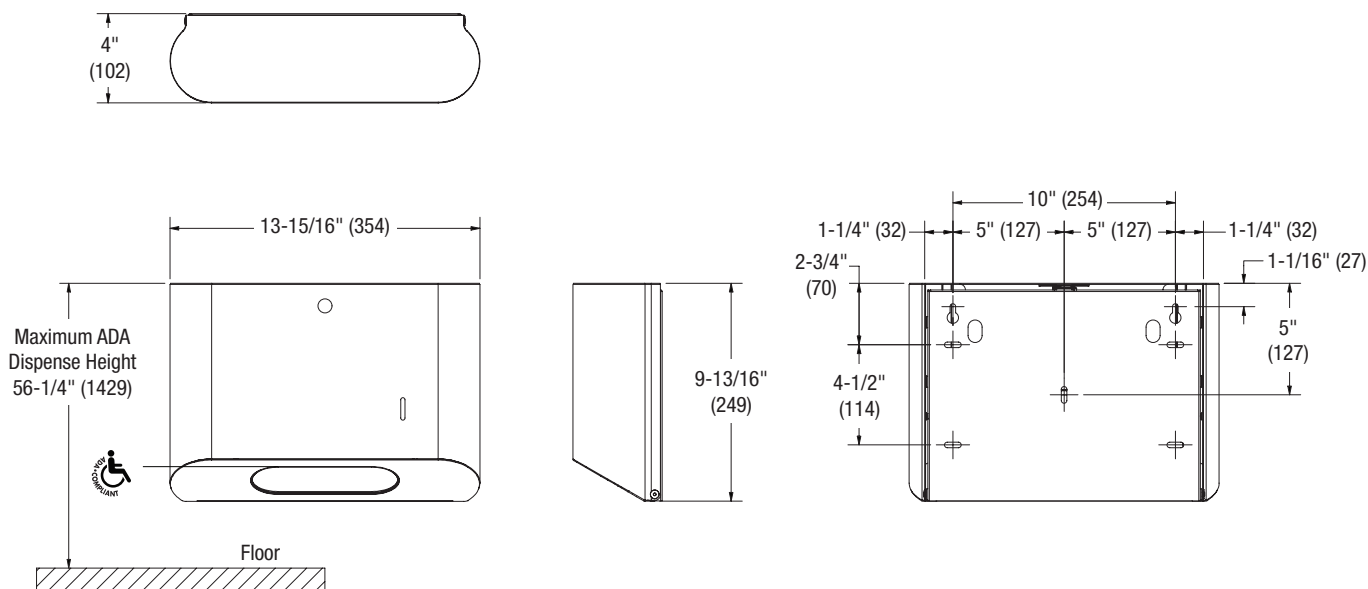
Read this entire installation manual to ensure proper installation. When installation is complete, file this manual with the owner or maintenance department. Compliance and conformity to local codes and ordinances is the responsibility of the installer.

Separate parts from packaging and make sure all parts are accounted for before discarding any packaging material. If any parts are missing, do not begin installation until you obtain the missing parts.

Dimensions

(mm)

Small Capacity

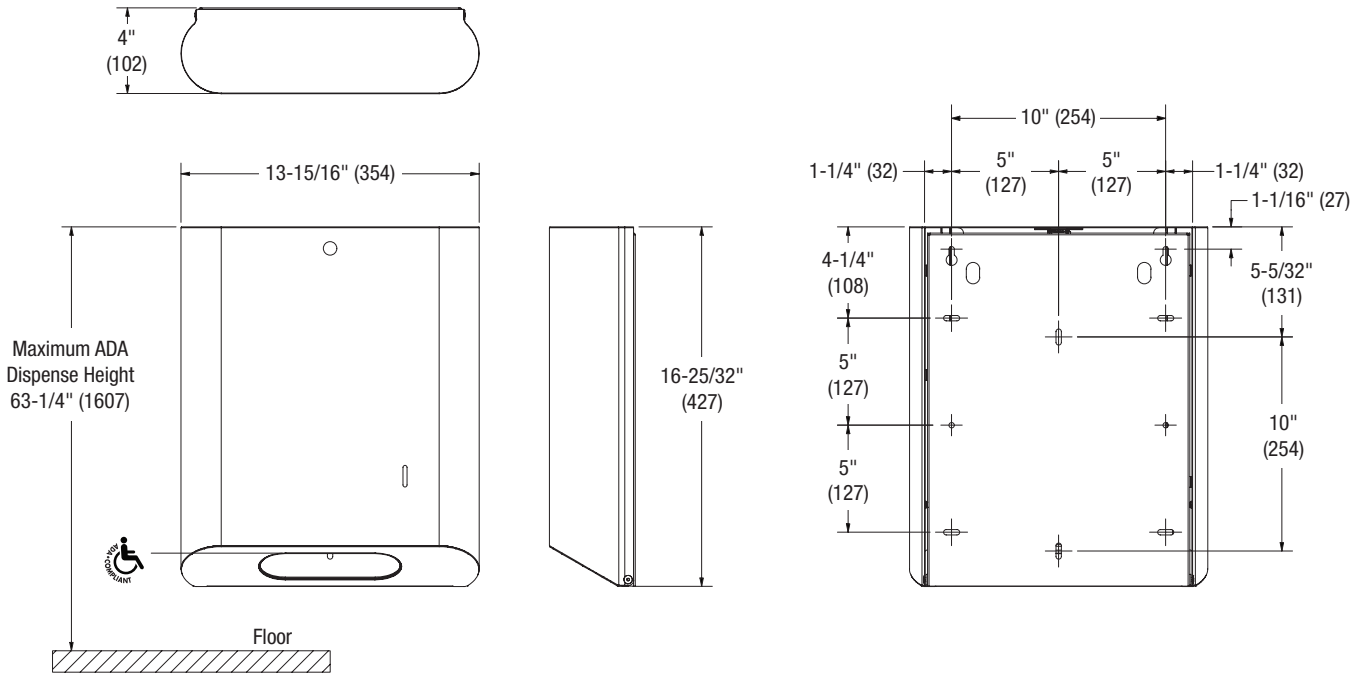


ADA minimum dispense height is 15" (381) above counters or obstructions. See ADA mark for location.

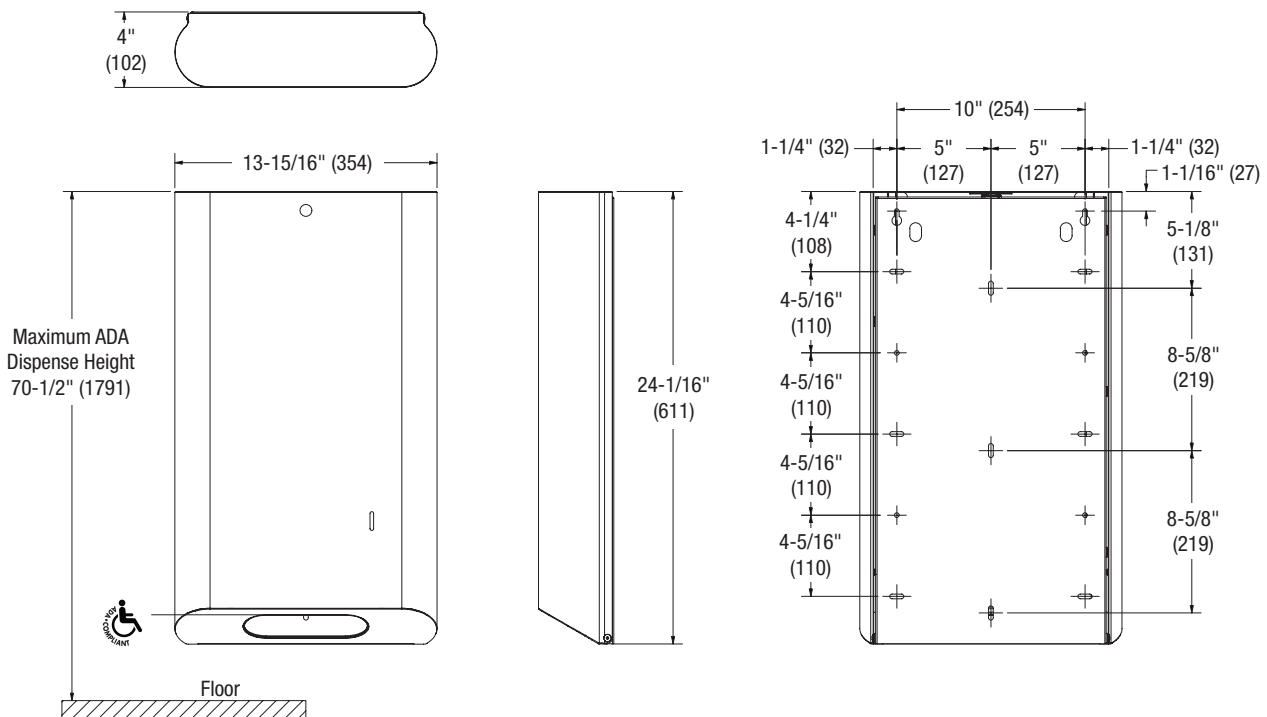
Dimensions

(mm)

Medium Capacity



Large Capacity



ADA minimum dispense height is 15" (381) above counters or obstructions. See ADA mark for location.

Installing the Towel Dispenser



Coordinate installation with architect and contractor to avoid protrusion from opposite wall or pipes, vents, conduits, electrical wiring, etc., in wall.

Follow all applicable local building codes. If installing where unit projects above top of wainscot, provide aluminum channel or other filler to prevent gap from finished wall and flange of unit. For block walls, use metal expansion shields (not included).

A

Drill the mounting holes and set the anchors (not included) per the mounting hole locations shown in the dimension illustrations on the previous pages.

B

Open the dispenser cover.

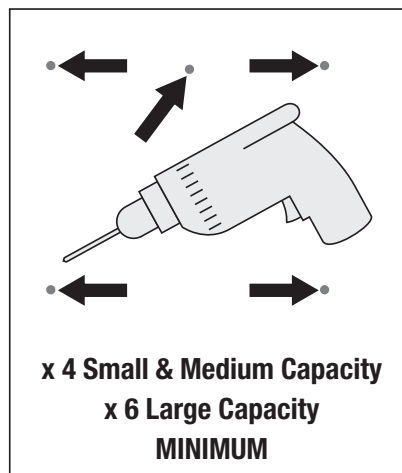
1. Place the magnetic key on the Bradley logo and slightly push to disengage the lock.
2. With the magnetic key still on the logo, pull the cover slightly to open the dispenser.
3. Leave the magnetic key on the Bradley logo.

C

Insert screws into the mounting holes, and then fully tighten (4 screws minimum for small/medium capacity and 6 screws minimum for large capacity).

D

With the magnetic key still on the logo, lift the cover and close. Remove the magnetic key.



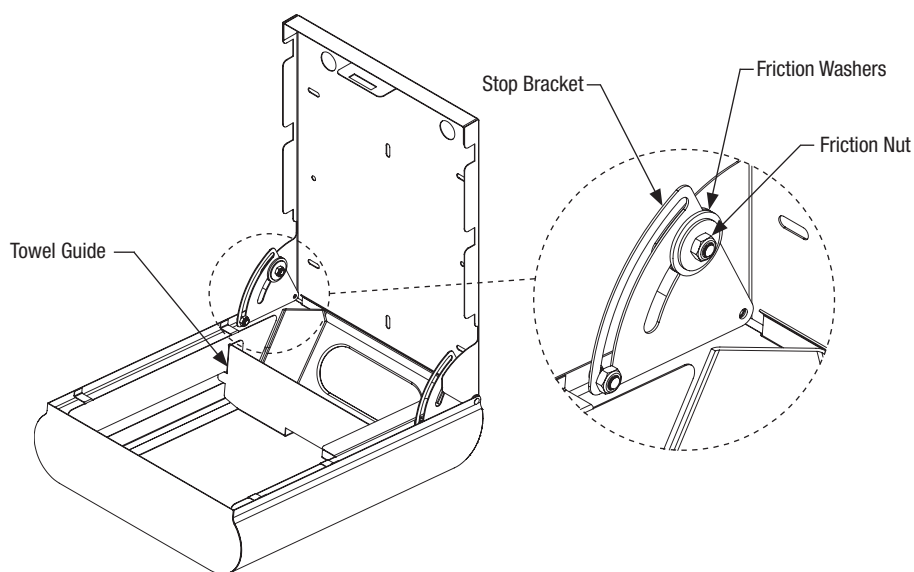
Maintenance and Cleaning

Refilling the Dispenser

Open the door using the magnetic key. Place key on Bradley logo and push slightly to disengage the lock. Move the towel guide to the top of the slot and load towels into the cover. Lower the towel guide until it rests on the towels. Lift the door to the closed position and remove the magnetic key. Pull the first towel through the dispenser.

Replacing Friction Mechanisms

The dispenser contains internal friction mechanisms (each side) to control the descent of the door while refilling the product. If the mechanisms fail to control the descent of the door at any point, remove and replace the friction washers and nuts on each side of the dispenser. These replacement parts can be found in the service parts manual. After attaching the friction nuts, be sure to torque them to 8 lb-in in order to provide the proper amount of friction.



Cleaning Stainless Steel

Scan or click the QR code below to view the Stainless Steel Washroom Accessories document.

