



2B1 Series

Elvari™ Surface-Mounted Towel Dispenser

Key Features

- High quality and modern style complements other [Elvari™ products](#)
- Advanced weld construction
- Pill-shape design
- Concealed BradLock™ magnetic locking system
- Red, low-level indicator

Operation

Towel dispenser holds C-fold or multi-fold towels with integral, easy-feed towel guide liner. BradLock system and magnetic key provide security, a seamless design, and easy access for service. Magnetic lock location is hidden from view behind the Bradley logo.

Capacity

Small Capacity: Approximately 400 folded paper towels

Medium Capacity: Approximately 500 folded paper towels

Large Capacity: Approximately 800 folded paper towels

Guide Specification

Surface-mounted towel dispenser. High quality and style. 20-gauge, 300 series stainless steel in a brushed #3 satin finish or optional electrocoat finishes. Welded, pill-shape construction. Red, low-level indicator provides notice that refill is needed. Integral, easy-feed towel guide liner. Magnetic locking system and magnetic key included.

Overall Dimensions – Small Capacity:

9-13/16" H x 13-15/16" W x 4" D (214mm x 354mm x 102mm)

Overall Dimensions – Medium Capacity:

16-13/16" H x 13-15/16" W x 4" D (427mm x 354mm x 102mm)

Overall Dimensions – Large Capacity:

24-1/16" H x 13-15/16" W x 4" D (611mm x 354mm x 102mm)

MasterFormat Title: Commercial Toilet Accessories

MasterFormat Number: 10 28 13.13

OmniClass Title: Toilet and Bath Specialties

OmniClass Code: 23.31.25.00

For information on Warranties, Maintenance and BAA/ARRA Compliance, visit our website at: bradleycorp.com/washroom-accessories-products

Orders composed of products indicated as **BradEX®** will be available to ship in three days after receipt of order at the factory. There is no pricing penalty for this service from Bradley.

Verify all rough-in dimensions prior to installation.

Page 1 of 3 1/31/2024


This information is subject to change without notice.
Bradley_Dispenser_2B1-Series

[View Latest Version](#)



Product Compliance

Complies with

- The Americans with Disabilities Act (ADA) 
- ANSI/ICC A117.1 - Accessible and Usable Buildings & Facilities

Listed by UL Environment to

- GreenGuard Gold



- Consult local and national accessibility codes for proper installation guidelines. Conformity and compliance with local and national codes is the responsibility of the installer.

Finishes

- Click on any color swatch to view as a larger image.



*Electrocoat Finishes, see Optional Electrocoat Finishes section on page 2.

© 2024 Bradley

P.O. Box 309, Menomonee Falls, WI 53052-0309
800 BRADLEY (800 272 3539) +1 262 251 6000
bradleycorp.com




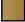




2B1 Series

Elvari™ Surface-Mounted Towel Dispenser

Optional Electrocoat Finishes

Bradley offers an exclusive, proprietary electrocoat color process on the Elvari towel dispenser models. Unlike powder coating, color is applied to the entire stainless steel part using a submersion process with electrically charged particles. This process results in a precise film thickness across all surfaces, allowing the grain of the stainless steel to show through.

Electrocoat provides complete coverage to the part and has environmental advantages such as no or low-VOC and HAPs (Hazardous Air Pollutants), heavy metal-free products, and minimum waste discharge. Bradley's electrocoat is durable and easy to clean as well as fingerprint, stain and corrosion resistant. A UV light stabilizer additive enhances resistance to weathering and color fade. Products are performance tested for adhesion following ASTM D3359-22 and impact resistance following ASTM D2794.

Model (Must select one)	
2B1	Elvari Towel Dispenser
Standard Selections (Must select one from each category)	
Mounting Type (select one)	
11	Surface Mounted
Capacity Type (select one)	
34	Small Capacity
0	Medium Capacity
36	Large Capacity
Towel Dispenser Finish Type (Must select one)	
BB	 Brushed Black
BR	 Brushed Brass
BZ	 Brushed Bronze
BN	 Brushed Nickel
BS	 Brushed Stainless
SS	 Satin Stainless ¹

¹ Models with Towel Dispenser Finish Type SS are available with **BradEX**® expedited shipping.

Orders composed of products indicated as **BradEX**® will be available to ship in three days after receipt of order at the factory. There is no pricing penalty for this service from Bradley.

Verify all rough-in dimensions prior to installation.

Page 2 of 3 1/31/2024

This information is subject to change without notice.

Bradley_Dispenser_2B1-Series

[View Latest Version](#)

© 2024 Bradley
P.O. Box 309, Menomonee Falls, WI 53052-0309
800 BRADLEY (800 272 3539) +1 262 251 6000
bradleycorp.com



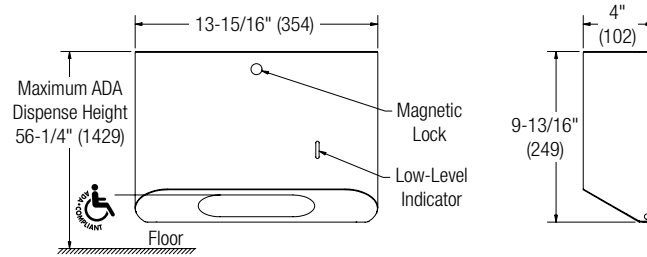
A WATTS Brand

2B1 Series Elvari™ Surface-Mounted Towel Dispenser

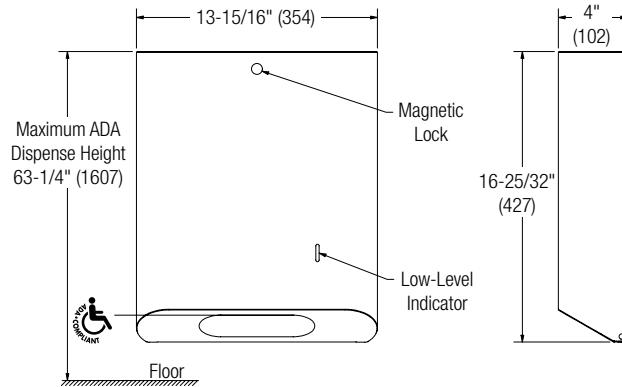
Dimensions

(mm)

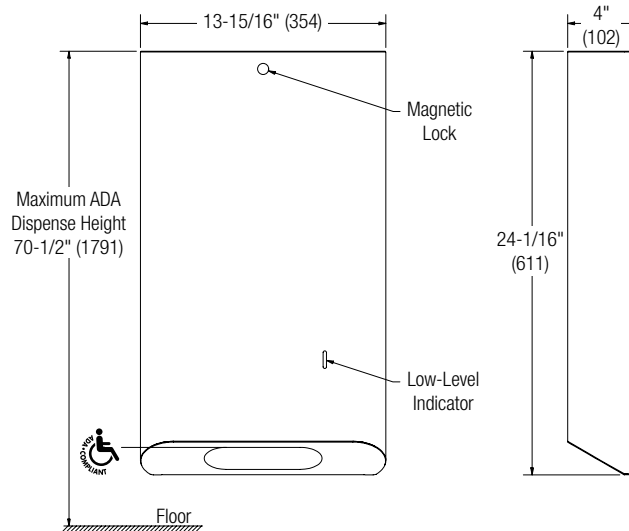
Small Capacity



Medium Capacity



Large Capacity



Orders composed of products indicated as **BradEX**® will be available to ship in three days after receipt of order at the factory. There is no pricing penalty for this service from Bradley.

Verify all rough-in dimensions prior to installation.