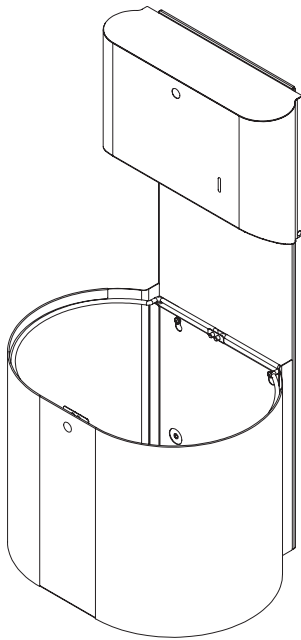


# Installation and Maintenance Guide

## Elvari™ Combination Units, Surface-Mounted

2B5 Series



### Table of Contents

Safety Information .....	2
Dimensions.....	2-3
Installing the Combination Unit.....	4
Maintenance and Cleaning.....	4



[Scan or click code to view  
Installation Guide \(English\)](#)



[Scan or click code to view  
Installation Guide \(French\)](#)



[Scan or click code to view  
Installation Guide \(Spanish\)](#)



**Read the instructions in this manual before beginning installation.  
Save these instructions and refer to them for operation and maintenance information.**

For questions regarding the operation, installation, or maintenance of this product, visit [bradleycorp.com](http://bradleycorp.com) or call 800.BRADLEY (800.272.3539). Product warranties and parts information may also be found under “Resources” on our website at [bradleycorp.com](http://bradleycorp.com).

P20-259 Rev. B: ECO 23-15-027  
© 2024 Bradley  
Page 1 of 4 1/5/2024

P.O. Box 309  
Menomonee Falls, WI 53052 USA  
800 BRADLEY (800 272 3539)  
+1 262 251 6000  
[bradleycorp.com](http://bradleycorp.com)



A WATTS Brand

## Safety Information

### WARNING

The combination units are no stronger than the anchors and walls to which they are attached, and therefore, must be firmly secured in order to support the intended load requirements. To avoid potential injury, the building owner or maintenance personnel should remove the combination unit from service if the mounting is not adequately secured to the wall or if there are any observed product defects.

### IMPORTANT

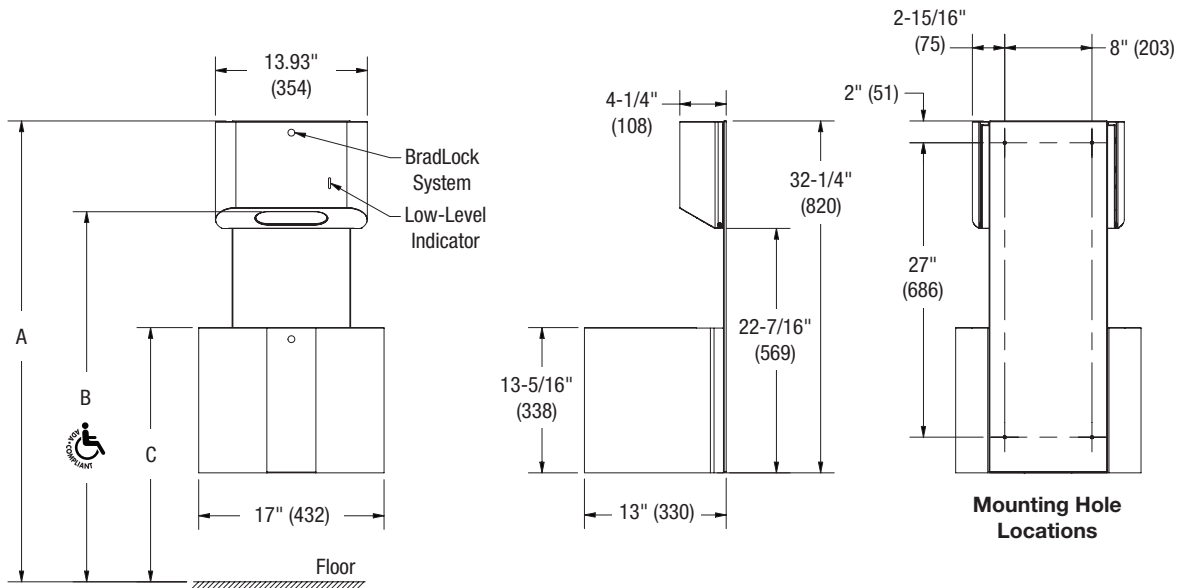
Read this entire installation manual to ensure proper installation. When installation is complete, file this manual with the owner or maintenance department. Compliance and conformity to local codes and ordinances is the responsibility of the installer.

Separate parts from packaging and make sure all parts are accounted for before discarding any packaging material. If any parts are missing, do not begin installation until you obtain the missing parts.


## Dimensions

(mm)

### Small Capacity



Combination Unit Capacity	Dim "A" (mm)	Dim "B" (mm)	Dim "C" (mm)
Small	54-5/16" (1379)	46" <sup>1</sup> (1168)	35-1/4" (896)
Medium	61-5/16" (1577)	46" <sup>1</sup> (1168)	33" (838)
Large	68-9/16" (1741)	46" <sup>1</sup> (1168)	32-5/16" (836)

<sup>1</sup> ADA compliant 

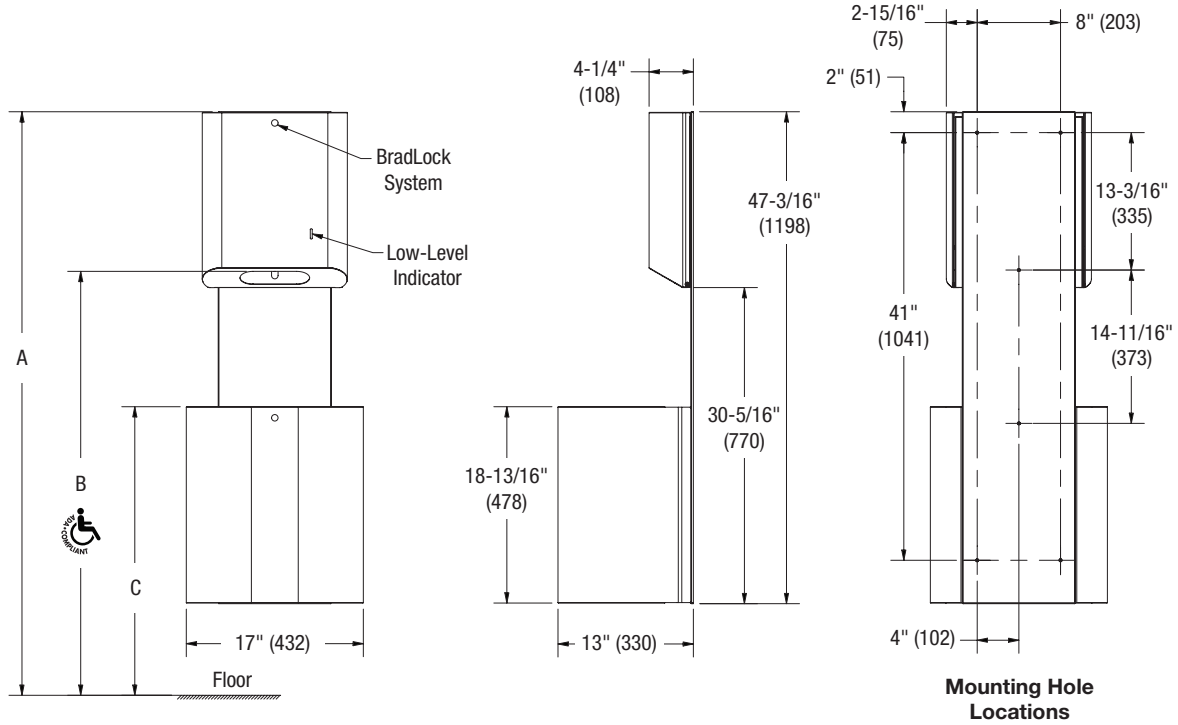
# Dimensions

(mm)

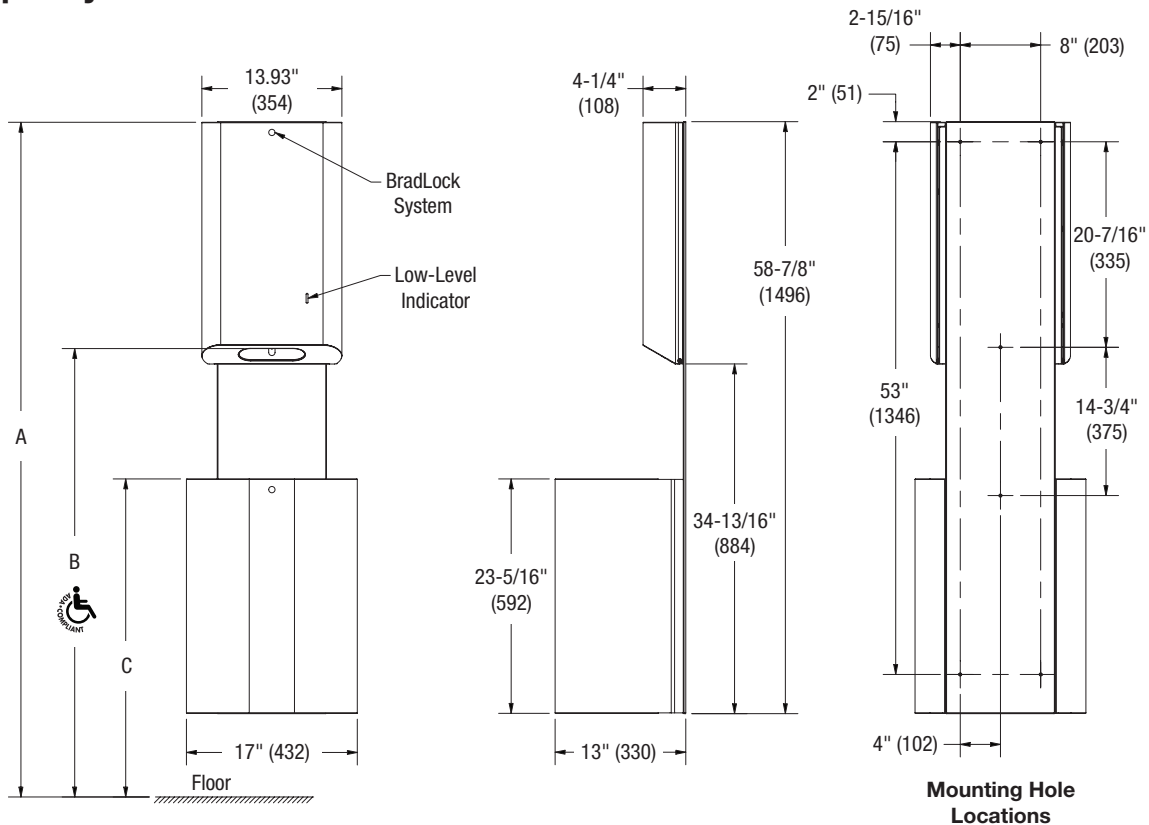


Refer to the table on page 2 for dimensions A, B & C.

## Medium Capacity



## Large Capacity



## Installing the Combination Unit



Coordinate installation with architect and contractor to avoid protrusion from opposite wall or pipes, vents, conduits, electrical wiring, etc., in wall.

Follow all applicable local building codes. If installing where unit projects above top of wainscot, provide aluminum channel or other filler to prevent gap from finished wall and flange of unit. For block walls, use metal expansion shields (not included).

**A**

Drill the mounting holes for the mounting plate per the mounting hole locations shown in the illustrations on the previous pages (4 holes – small capacity, 6 holes – medium/large capacity).

**C**

Use the supplied washers and nuts to secure the towel dispenser and waste receptacle onto the mounting plate threaded studs.

**B**

Insert screws into the mounting plate to secure mounting plate to the mounting surface.

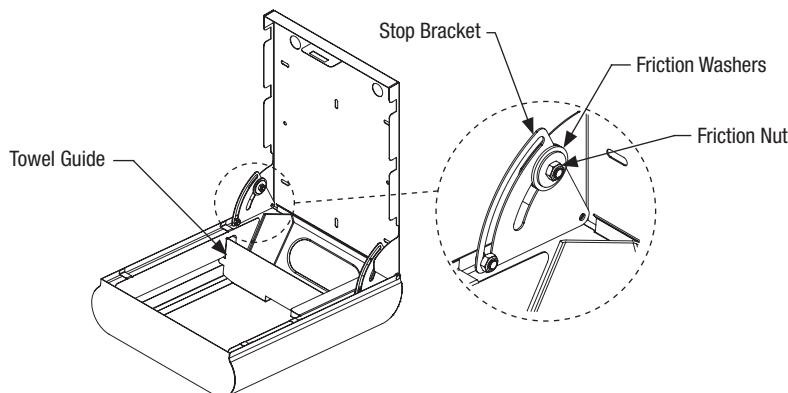
## Maintenance and Cleaning

### Refilling the Dispenser

Open the door using the magnetic key. Place key on Bradley logo and push slightly to disengage the lock. Move the towel guide to the top of the slot and load towels into the cover. Lower the towel guide until it rests on the towels. Lift the door to the closed position and remove the magnetic key. Pull the first towel through the dispenser.

### Replacing Friction Mechanisms

The dispenser contains internal friction mechanisms (each side) to control the descent of the door while refilling the product. If the mechanisms fail to control the descent of the door at any point, remove and replace the friction washers and nuts on each side of the dispenser. These replacement parts can be found in the service parts manual. After attaching the friction nuts, be sure to torque them to 8 lb-in in order to provide the proper amount of friction.



### Cleaning Stainless Steel

Scan or click the QR code below to view the Stainless Steel Washroom Accessories document.

