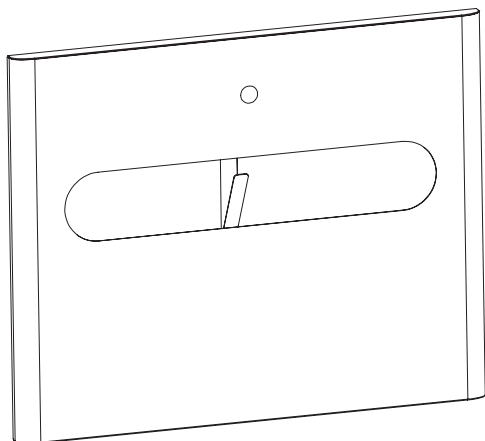


# Installation and Maintenance Guide



## Elvari™ Toilet Seat Cover Dispenser, Recessed

Model 5B1-00

### Table of Contents

Safety Information .....	2
Dimensions.....	2
Installing the Toilet Seat Cover Dispenser .....	3
Cleaning and Maintenance.....	3



[Scan or click code to view Installation Guide \(English\)](#)



[Scan or click code to view Installation Guide \(French\)](#)



[Scan or click code to view Installation Guide \(Spanish\)](#)



**Read the instructions in this manual before beginning installation. Save these instructions and refer to them for operation and maintenance information.**

For questions regarding the operation, installation, or maintenance of this product, visit [bradleycorp.com](http://bradleycorp.com) or call 800.BRADLEY (800.272.3539). Product warranties and parts information may also be found under "Resources" on our website at [bradleycorp.com](http://bradleycorp.com).



## Safety Information

### **WARNING**

Toilet seat cover dispensers are no stronger than the anchors and walls to which they are attached, and therefore, must be firmly secured in order to support the intended load requirements. To avoid potential injury, the building owner or maintenance personnel should remove the dispenser from service if the mounting is not adequately secured to the wall or if there are any observed product defects.

### **IMPORTANT**

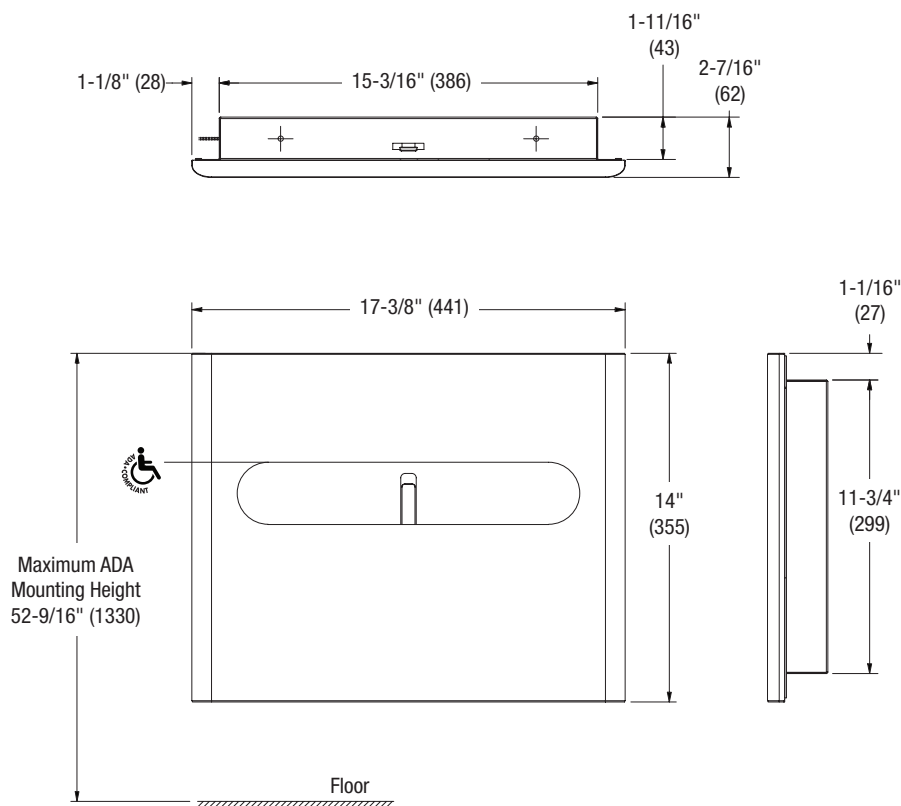
Read this entire installation manual to ensure proper installation. When installation is complete, file this manual with the owner or maintenance department. Compliance and conformity to local codes and ordinances is the responsibility of the installer.

Separate parts from packaging and make sure all parts are accounted for before discarding any packaging material. If any parts are missing, do not begin installation until you obtain the missing parts.

## Dimensions

(mm)

### Large Capacity



ADA maximum dispense height is 48" (1219). See ADA mark for location.

## Installing the Toilet Seat Cover Dispenser



Coordinate installation with architect and contractor to avoid protrusion from opposite wall, pipes vent, conduits, electrical wiring, etc., in wall.

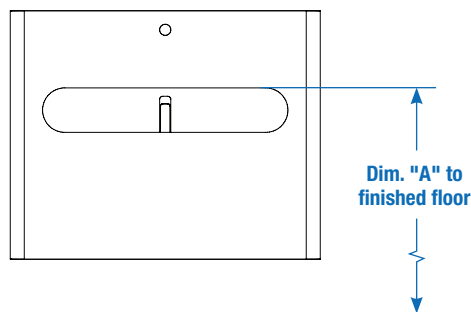
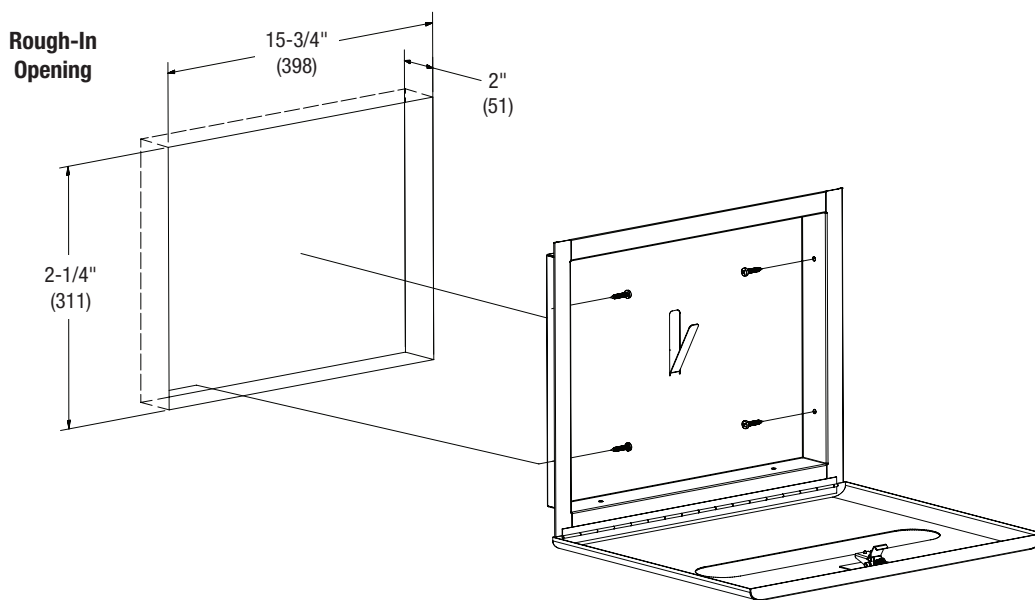
Follow all applicable local building codes. If installing where unit projects above top of wainscot, provide aluminum channel or other filler to prevent gap from finished wall and flange of unit. For block walls, use metal expansion shields (not included).



Verify all rough-in dimensions prior to installation.

**A** Drill holes and set the anchors (not included) per the dimensions listed in the table below.

**B** Position the dispenser into the wall and use four appropriate fasteners (not included) to secure in place.



Dim. "A" Key Surface:	For Dim. "A"	Top of Rough Wall Opening	Bottom of Rough Wall Opening
Top of seat cover opening to finished floor	48" (1219)	51-3/4" (1314)	39-1/2" (1003)
	45" (1143)	48-3/4" (1238)	36-1/2" (927)
	42" (1067)	45-3/4" (1162)	33-1/2" (851)
	40" (1016)	43-3/4" (1111)	31-1/2" (800)

## Cleaning and Maintenance

Scan or click the QR code below to view the Stainless Steel Washroom Accessories document.

