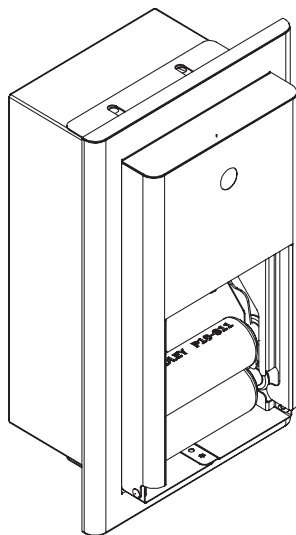


# Installation and Maintenance Guide



## Elvari™ Toilet Paper Dispenser, Recessed

Model 5B2-00

### Table of Contents

Safety Information .....	2
Dimensions.....	2
Installing the Toilet Paper Dispenser.....	3-4
Maintenance and Cleaning.....	4



[Scan or click code to view Installation Guide \(French\)](#)



[Scan or click code to view Installation Guide \(Spanish\)](#)



**Read the instructions in this manual before beginning installation. Save these instructions and refer to them for operation and maintenance information.**

For questions regarding the operation, installation or maintenance of this product, visit [bradleycorp.com](http://bradleycorp.com) or call 800.BRADLEY (800.272.3539). Product warranties and parts information may also be found under "Resources" on our website at [bradleycorp.com](http://bradleycorp.com).



## Safety Information

### **WARNING**

The toilet paper dispenser assembly is no stronger than the anchors and walls to which it is attached, and therefore, must be firmly secured in order to support the intended load requirements. To avoid potential injury, the building owner or maintenance personnel should remove the dispenser from service if the mounting is not adequately secured to the wall or if there are any observed product defects.

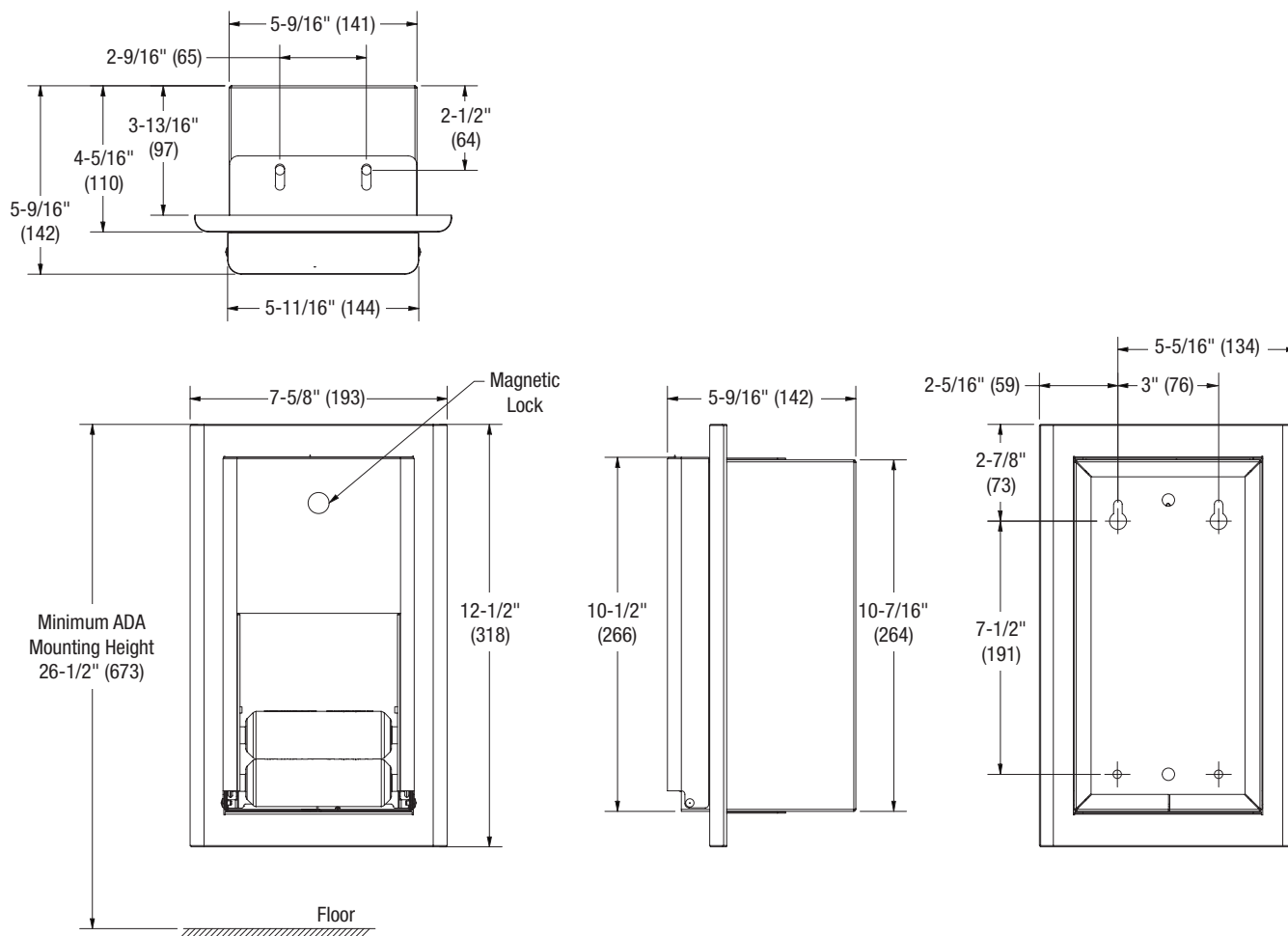
### **IMPORTANT**

Read this entire installation manual to ensure proper installation. When installation is complete, file this manual with the owner or maintenance department. Compliance and conformity to local codes and ordinances is the responsibility of the installer.

Separate parts from packaging and make sure all parts are accounted for before discarding any packaging material. If any parts are missing, do not begin installation until you obtain the missing parts.

## Dimensions

(mm)



## Installing the Toilet Paper Dispenser



Coordinate installation with architect and contractor to avoid protrusion from opposite wall or pipes, vents, conduits, electrical wiring, etc., in wall.

Follow all applicable local building codes. If installing where unit projects above top of wainscot, provide aluminum channel or other filler to prevent gap from finished wall and flange of unit. For block walls, use metal expansion shields (not included).



Remove the spindles from the dispenser prior to mounting.

**A** Make a rough opening in the wall with dimensions of 5-13/16" W x 10-3/4" H x 4" D.

**B** Position the front panel into the rough opening while holding flush to the finished wall surface.

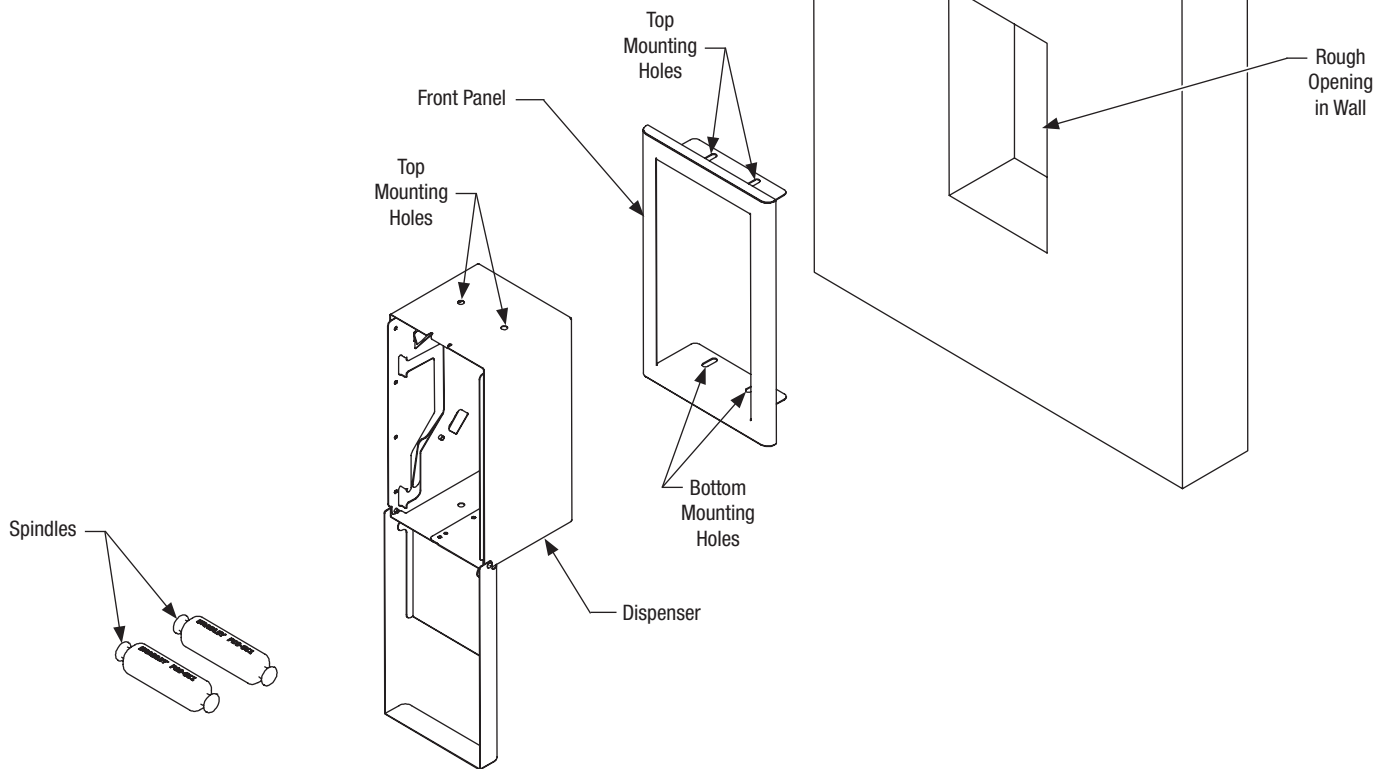
**C** Open the dispenser cover.

1. Place magnetic key on the Bradley logo and slightly push to disengage the lock.
2. Pull the cover slightly to open the dispenser.

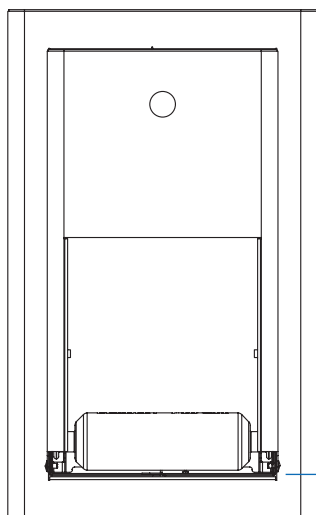
Insert the dispenser into the front panel, aligning the top and bottom mounting holes. Maximum of 3-7/8" allowing the dispenser door to close.

**D** Insert screws (not included) through the top and bottom mounting holes to mount the dispenser to the front panel and wall.

**E** Place the spindles back into the dispenser and close the door.



## Installation for Toilet Paper Dispenser (cont.)



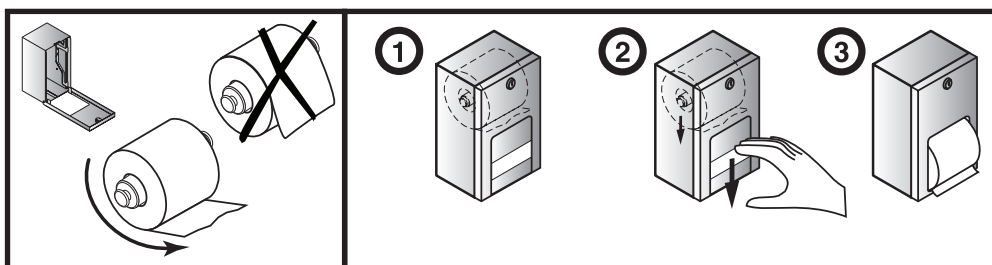
Dim. "A" to finished floor

Dim. "A" Key Surface:	For Dim. "A"	Top of Rough Wall Opening	Bottom of Rough Wall Opening
Top of seat cover opening to finished floor	35" (889)	45-5/8" (1159)	34-7/8" (886)
	30" (762)	40-5/8" (1032)	29-7/8" (759)
	25" (635)	35-5/8" (905)	24-7/8" (632)
	20" (508)	30-5/8" (778)	19-7/8" (505)
	15" (381)	25-5/8" (651)	14-7/8" (678)

## Maintenance and Cleaning

### Refilling the Dispenser

Open the door using the magnetic key. Place key on Bradley logo and push slightly to disengage the lock. Load product as shown below (rolls dispensing from the bottom). Lift the door to the closed position and remove the magnetic key.



### Cleaning Stainless Steel

Scan or click the QR code below to view the Stainless Steel Washroom Accessories document.

