



A WATTS Brand

## 5B2 Series Elvari™ Toilet Paper Dispenser

### Key Features

- High quality and modern style compliments other [Elvari™ products](#)
- Concealed BradLock™ magnetic locking system
- Advanced weld construction
- Unique retaining mechanism for spare roll

### Operation

Cabinet holds two rolls up to 4-1/2" W x 5-1/4" diameter standard core toilet paper, one above the other. When first roll is spent, fresh roll automatically drops down for use. Unique retaining mechanism prevents use of spare roll until first roll is completely spent. Spindles non-removable by user. Hinged door permits access to storage compartment for servicing the unit. BradLock system and magnetic key provide security, a seamless design, and easy access for service. Magnetic lock location is hidden from view behind the Bradley logo.

### Guide Specification

Surface-mounted or recessed toilet paper dispenser. Single roll up to 5-1/4" diameter in standard roll dispenser with drop-down, roll-in-reserve. Rolls mounted on non-removable molded polyethylene spindles. Equipped with bottom-hinged service door with magnetic lock and key provided. 20-gauge, 300 series stainless steel in brushed #3 satin finish or optional electrocoat finishes on exposed surfaces.

#### Overall Dimensions – Surface-Mounted:

5-11/16" W x 10-1/2" H x 5-9/16" D (144mm x 266mm x 142mm)

#### Overall Dimensions – Recessed-Mounted:

7-5/8" W x 12-1/2" H x 5-9/16" D (193mm x 318mm x 142mm)

**MasterFormat Title:** Commercial Toilet Accessories


**MasterFormat Number:** 10 28 13.13

**OmniClass Title:** Toilet and Bath Specialties

**OmniClass Code:** 23.31.25.00

### Product Compliance

#### Complies with

- The Americans with Disabilities Act (ADA) 
- ANSI/ICC A117.1 - Accessible and Usable Buildings & Facilities

#### Listed by UL Environment to

- GreenGuard Gold



**For information on Warranties, Maintenance and BAA/ARRA Compliance, visit our website at: [bradleycorp.com/washroom-accessories-products](http://bradleycorp.com/washroom-accessories-products)**

Orders composed of products indicated as **BradEX®** will be available to ship in three days after receipt of order at the factory. There is no pricing penalty for this service from Bradley.

Verify all rough-in dimensions prior to installation.



### Finishes

Click on any color swatch to view as a larger image.

	Brushed Black*
	Brushed Brass*
	Brushed Bronze*
	Brushed Nickel*
	Brushed Stainless*
	Satin Stainless

\*Electrocoat Finishes, see Optional Electrocoat Finishes section on page 2.

### Complementary Bradley Products

- [Euro Style Partitions – Highrise Series](#)
- [Euro Style Partitions – Skyline Series](#)
- [Euro Style Partitions – Float Series](#)
- [Euro Style Partitions – Lucent Series](#)
- [Euro Style Partitions – Loft Series](#)

Consult local and national accessibility codes for proper installation guidelines. Conformity and compliance with local and national codes is the responsibility of the installer.









A WATTS Brand

# 5B2 Series Elvari™ Toilet Paper Dispenser

## Optional Electrocoat Finishes

Bradley offers an exclusive, proprietary electrocoat color process on the Elvari toilet paper dispenser models. Unlike powder coating, color is applied to the entire stainless steel part using a submersion process with electrically charged particles. This process results in a precise film thickness across all surfaces, allowing the grain of the stainless steel to show through.

Electrocoat provides complete coverage to the part and has environmental advantages such as no or low-VOC and HAPs (Hazardous Air Pollutants), heavy metal-free products, and minimum waste discharge. Bradley's electrocoat is durable and easy to clean as well as fingerprint, stain and corrosion resistant. A UV light stabilizer additive enhances resistance to weathering and color fade. Products are performance tested for adhesion following ASTM D3359-22 and impact resistance following ASTM D2794.

<b>Model</b> (Must select one)	
<b>5B2</b>	Elvari Toilet Paper Dispenser
<b>Standard Selections</b> (Must select one from each category)	
<b>Mounting</b> (select one)	
<b>0</b>	Recessed
<b>11</b>	Surface Mounted
<b>Toilet Paper Dispenser Finish Type</b> (Must select one)	
<b>BB</b>	 Brushed Black
<b>BR</b>	 Brushed Brass
<b>BZ</b>	 Brushed Bronze
<b>BN</b>	 Brushed Nickel
<b>BS</b>	 Brushed Stainless
<b>SS</b>	 Satin Stainless <sup>1</sup>

<sup>1</sup> Model available with **BradEX**® expedited shipping.

Orders composed of products indicated as **BradEX**® will be available to ship in three days after receipt of order at the factory. There is no pricing penalty for this service from Bradley.

Verify all rough-in dimensions prior to installation.

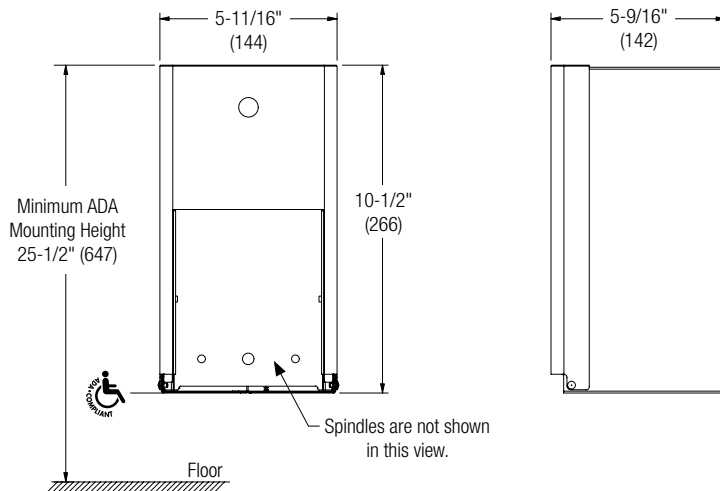


A WATTS Brand

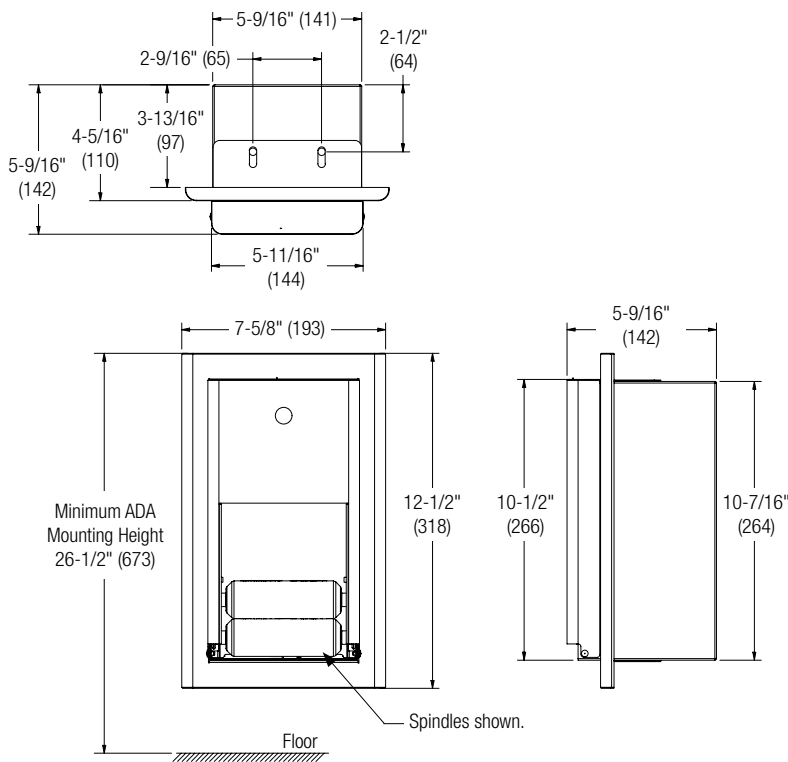
# 5B2 Series Elvari™ Toilet Paper Dispenser

## Dimensions – Surface Mounted

(mm)



## Dimensions – Recessed



Orders composed of products indicated as **BradEX**® will be available to ship in three days after receipt of order at the factory. There is no pricing penalty for this service from Bradley.

Verify all rough-in dimensions prior to installation.