

Installation and Maintenance Guide

Elvari™ Toilet Paper Dispenser, Surface-Mounted

Model 5B2-11

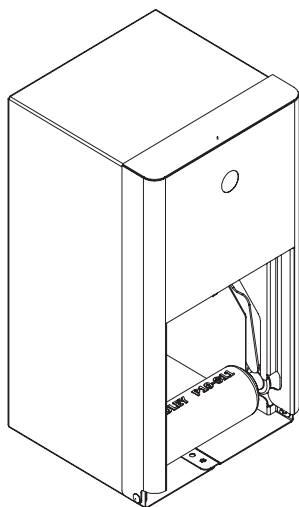


Table of Contents

- Safety Information 2
- Dimensions 2
- Installing the Toilet Paper Dispenser 3
- Maintenance and Cleaning 3



[Scan or click code to view Installation Guide \(French\)](#)



[Scan or click code to view Installation Guide \(Spanish\)](#)



Read the instructions in this manual before beginning installation. Save these instructions and refer to them for operation and maintenance information.

For questions regarding the operation, installation, or maintenance of this product, visit bradleycorp.com or call 800.BRADLEY (800.272.3539). Product warranties and parts information may also be found under “Resources” on our website at bradleycorp.com.



Safety Information

WARNING

The toilet paper dispenser assembly is no stronger than the anchors and walls to which it is attached, and therefore, must be firmly secured in order to support the intended load requirements. To avoid potential injury, the building owner or maintenance personnel should remove the dispenser from service if the mounting is not adequately secured to the wall or if there are any observed product defects.

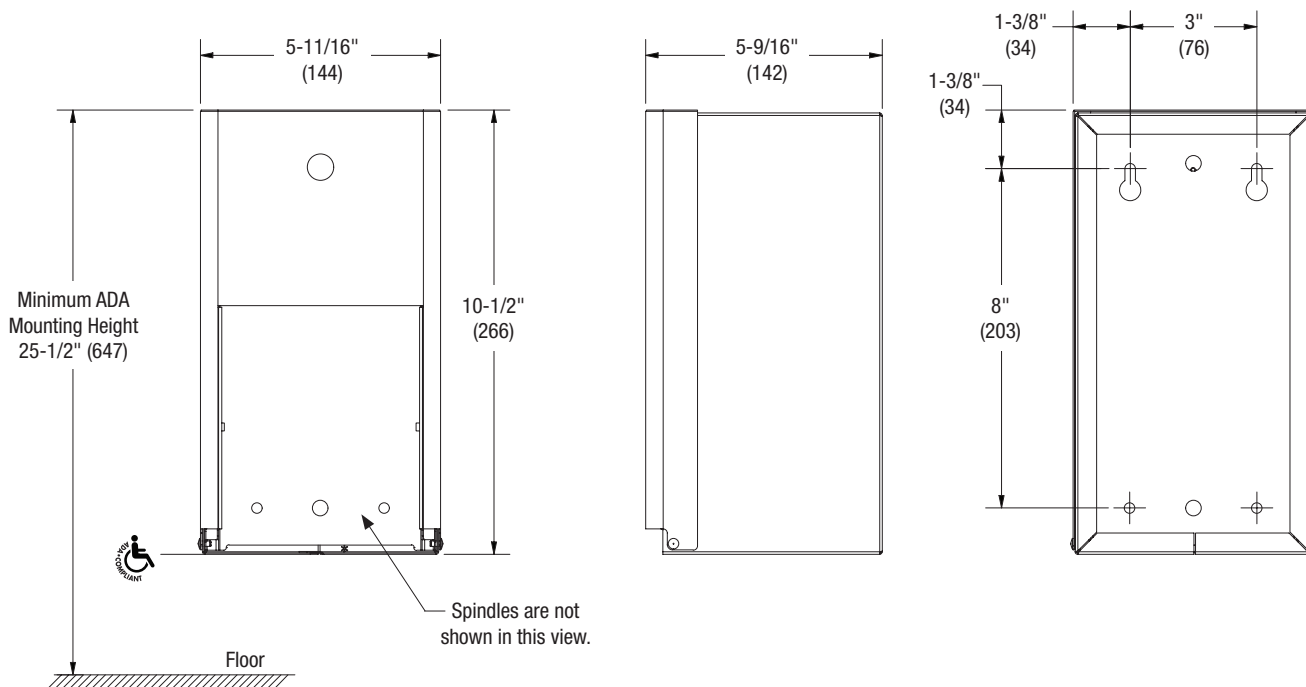
IMPORTANT

Read this entire installation manual to ensure proper installation. When installation is complete, file this manual with the owner or maintenance department. Compliance and conformity to local codes and ordinances is the responsibility of the installer.

Separate parts from packaging and make sure all parts are accounted for before discarding any packaging material. If any parts are missing, do not begin installation until you obtain the missing parts.

Dimensions

(mm)



ADA minimum dispense height is 15" (381). See ADA mark for location.

Installing the Toilet Paper Dispenser

- ✓ Coordinate installation with architect and contractor to avoid protrusion from opposite wall or pipes, vents, conduits, electrical wiring, etc., in wall.
- ✓ Follow all applicable local building codes. If installing where unit projects above top of wainscot, provide aluminum channel or other filler to prevent gap from finished wall and flange of unit. For block walls, use metal expansion shields (not included).
- ✓ Remove spindles from the dispenser prior to mounting.

A Drill the mounting holes and set the anchors (not included) per the mounting hole locations shown in the dimension illustration on the previous page.

D Hang the dispenser on the top screws. Insert two screws into the bottom mounting holes and then fully tighten all screws.

B Insert two screws into the top mounting holes. Be sure to leave a small gap between the screw heads and the mounting surface.

E Place the spindles back into the dispenser and close the door.

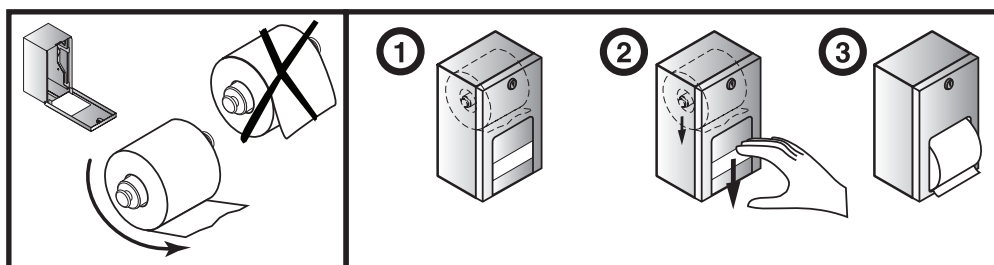
Open the dispenser cover.

- C**
1. Place the magnetic key on the Bradley logo and slightly push to disengage the lock.
 2. Pull the cover slightly to open the dispenser.

Maintenance and Cleaning

Refilling the Dispenser

Open the door using the magnetic key. Place key on Bradley logo and push slightly to disengage the lock. Load product as shown below (rolls dispensing from the bottom). Lift the door to the closed position and remove the magnetic key.



Cleaning Stainless Steel

Scan or click the QR code below to view the Stainless Steel Washroom Accessories document.

