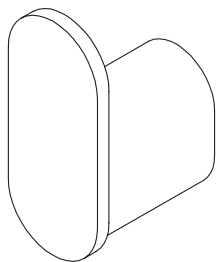


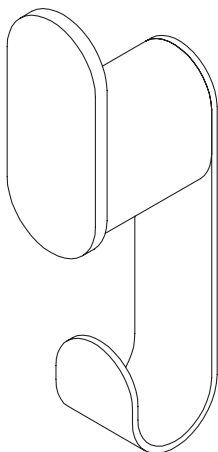
# Installation and Maintenance Guide

## Elvari™ Coat/Robe Hook

Model 9B1 Series



**Single Hook**  
9B1-110000



**Double Hook**  
9B1-110200

### Table of Contents

Safety Information .....	2
Dimensions .....	2
Installing the Coat/Robe Hook .....	3
Cleaning and Maintenance .....	3



[Scan or click code to view  
Installation Guide \(English\)](#)



[Scan or click code to view  
Installation Guide \(French\)](#)



[Scan or click code to view  
Installation Guide \(Spanish\)](#)



**Read the instructions in this manual before beginning installation.  
Save these instructions and refer to them for operation and maintenance information.**

For questions regarding the operation, installation, or maintenance of this product, visit [bradleycorp.com](http://bradleycorp.com) or call 800.BRADLEY (800.272.3539).  
Product warranties and parts information may also be found under "Resources" on our website at [bradleycorp.com](http://bradleycorp.com).



## Safety Information

### **WARNING**

The coat/robe hook assembly is no stronger than the anchors and walls to which they are attached, and therefore, must be firmly secured in order to meet regulatory requirements. To avoid potential injury, the building owner or maintenance personnel should remove the coat/robe hook from service if the mounting is not adequately secured to the wall or if there are any observed product defects.

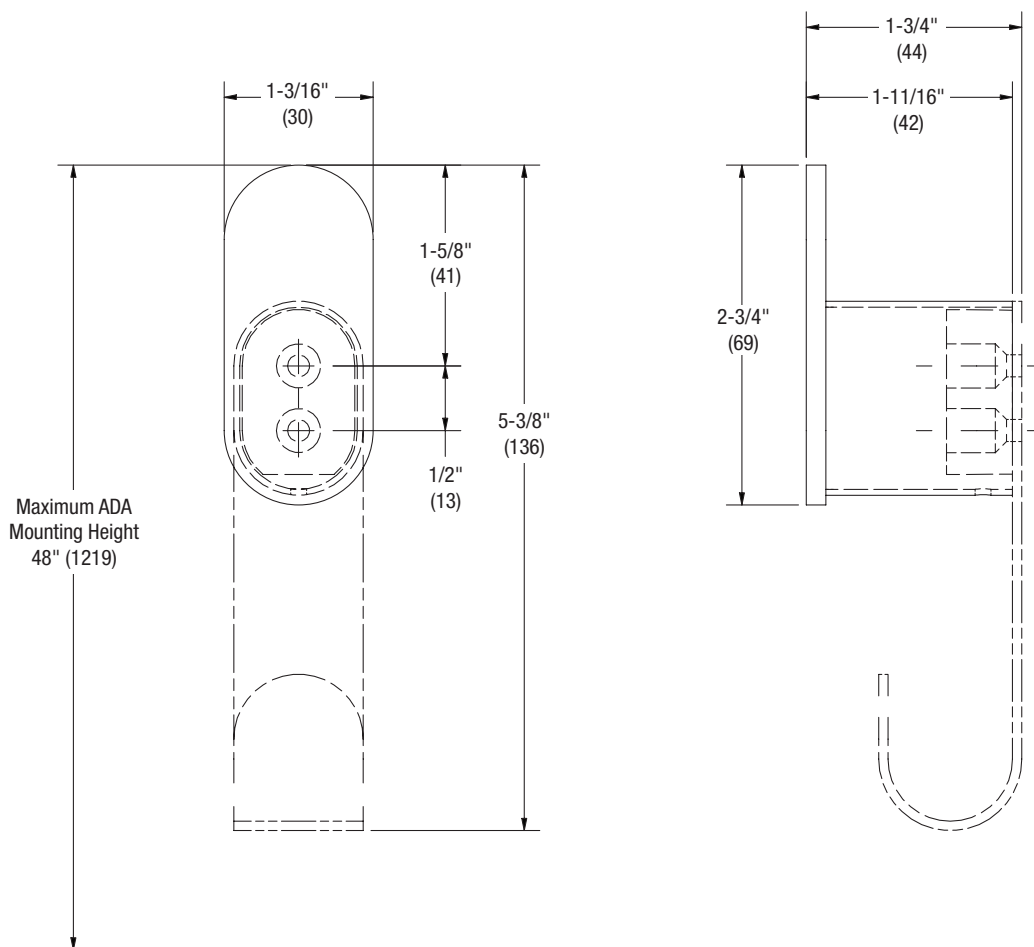
### **IMPORTANT**

Read this entire installation manual to ensure proper installation. When installation is complete, file this manual with the owner or maintenance department. Compliance and conformity to local codes and ordinances is the responsibility of the installer.

Separate parts from packaging and make sure all parts are accounted for before discarding any packaging material. If any parts are missing, do not begin installation until you obtain the missing parts.

## Dimensions

**(mm)**



## Installing the Coat/Robe Hook



For partitions with particle board or other solid core, secure using the hardware (included), or supply through bolts, nuts, and washers.

For hollow-core metal partitions, provide solid backing to which the hardware can be secured.

For plaster or dry wall construction, provide concealed wood support to comply with local building codes and then secure unit using hardware.

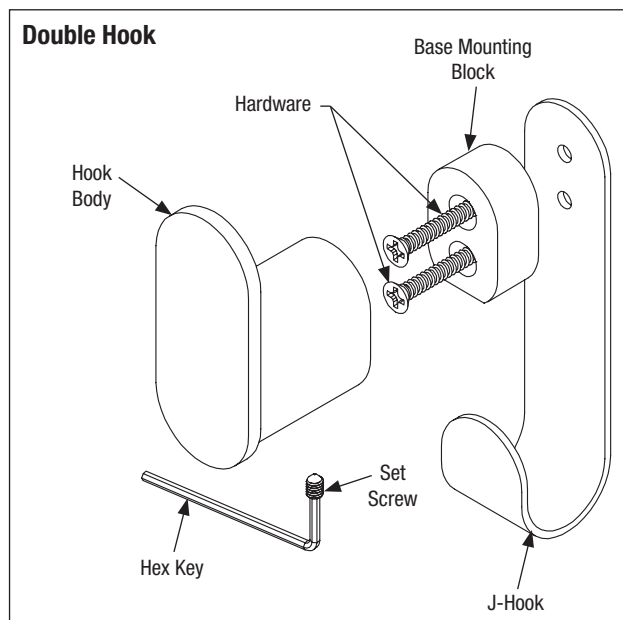
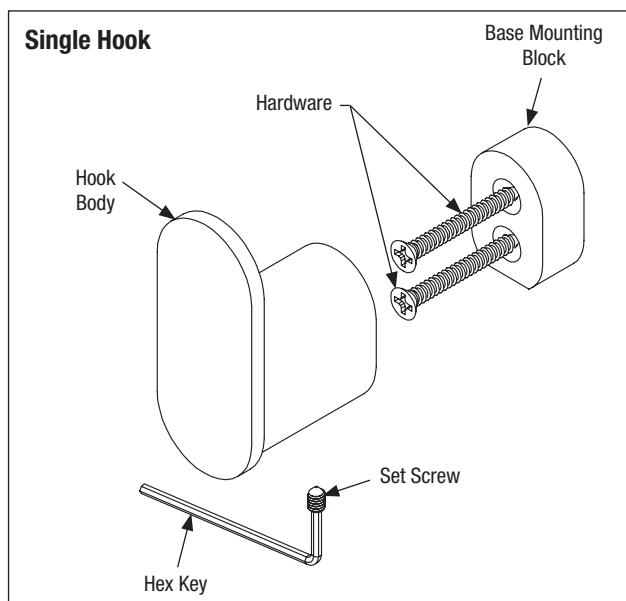
For other wall surfaces, supply hardware and anchors suitable for wall construction.

**For single hooks:** Secure the base mounting block with flat side facing the floor.

**A For double hooks:** Place the J-hook behind the mounting block and align the mounting holes. Secure the J-hook and mounting block to the mounting surface with flat side facing the floor.

**B** Start the set screw in the hook body and then slip the hook body over the base mounting block.

**C** Secure the hook body to the base mounting block using the hex key to tighten the set screw.



## Cleaning and Maintenance

Scan or click on the QR code below to view the Stainless Steel Washroom Accessories document.

