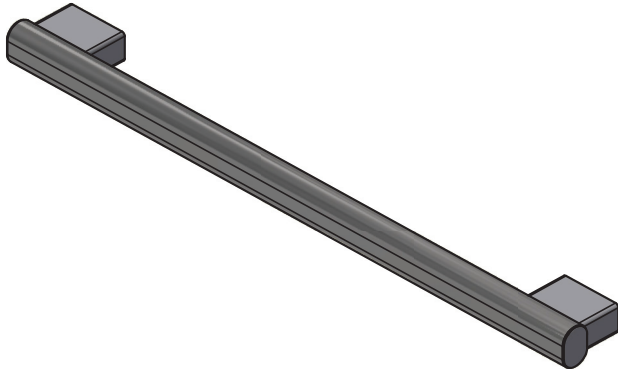


# Installation

## Grab Bars

8B1 Series



### Table of Contents

Safety Information .....	2
Supplies Required .....	2
Available Mounting Kits & Anchoring Devices.....	2
Components .....	3
Dimensions – 8B1 Series without Hooks .....	4
Installing Grab Bar without Hooks .....	5
Dimensions – 8B1 Series with Hooks .....	6
Installing Grab Bar with Hooks.....	7
Cleaning and Maintenance .....	8



[Scan or click code to view  
Installation Guide \(English\)](#)



[Scan or click code to view  
Installation Guide \(French\)](#)



[Scan or click code to view  
Installation Guide \(Spanish\)](#)



**Read the instructions in this manual before beginning installation. Save these instructions and refer to them for inspection, maintenance, and troubleshooting information.**

For questions regarding the operation, installation or maintenance of this product, visit [bradleycorp.com](http://bradleycorp.com) or call 800.BRADLEY (800.272.3539). Product warranties and parts information may also be found under “Resources” on our website at [bradleycorp.com](http://bradleycorp.com).

P20-249 Rev. C: ECO 23-15-040  
© 2024 Bradley  
Page 1 of 8 1/19/2024

P.O. Box 309  
Menomonee Falls, WI 53052 USA  
800 BRADLEY (800 272 3539)  
+1 262 251 6000  
[bradleycorp.com](http://bradleycorp.com)



A WATTS Brand

## Safety Information

### **WARNING**

All mounting hardware is supplied by installer and must be appropriate for wall construction. Wall anchors/backing used must provide adequate support for the intended load requirements.

Grab bars are no stronger than the anchors and walls to which they are attached, and therefore, must be firmly secured in order to support the intended load requirements. To avoid potential injury, the building owner or maintenance personnel should remove the grab bar from service if the mounting is not adequately secured to the wall or if there are any observed product defects.

### **CAUTION**

Personal Protective Equipment (PPE) is required during the installation of this product.

## IMPORTANT

Read this entire installation manual to ensure proper installation. When finished with the installation, file this manual with the owner or maintenance department. Compliance and conformity to local codes and ordinances is the responsibility of the installer.

Separate parts from packaging and make sure all parts are accounted for before discarding any packaging material. If any parts are missing, do not begin installation until you obtain the missing parts.

## Supplies Required

- Drill
- Drill bit (may be required if anchors are used) supplied by others
- Tape measure
- Level
- Pencil
- 1/8" Allen wrench (provided)

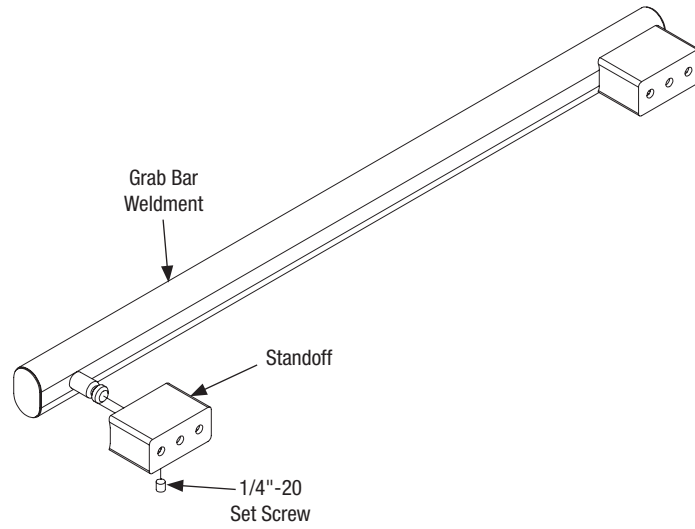
## Available Mounting Kits & Anchoring Devices

Scan the QR code below to view the mounting kits and anchoring devices that are available for the 8B1 grab bar series.

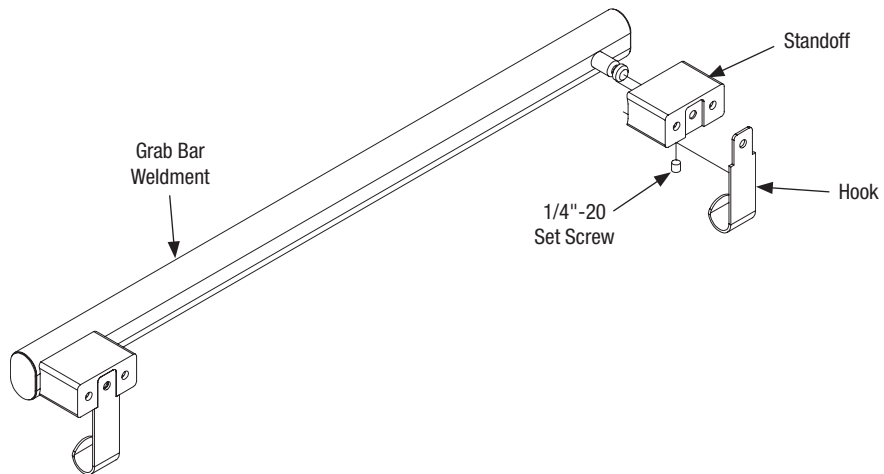


## Components

### 8B1 Series without Hooks



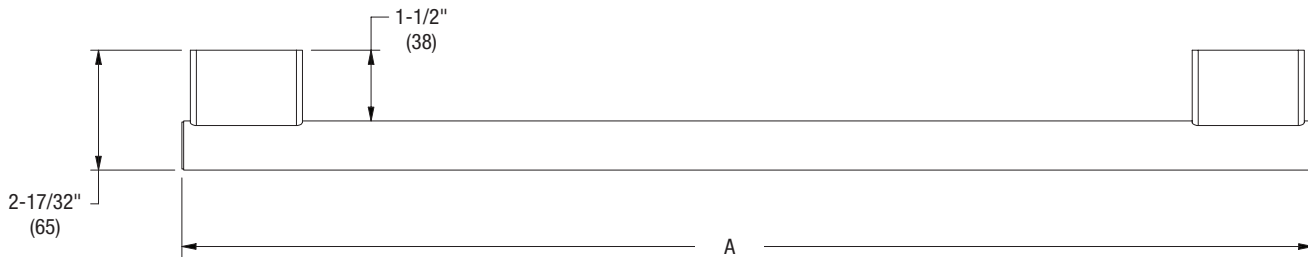
### 8B1 Series with Hooks



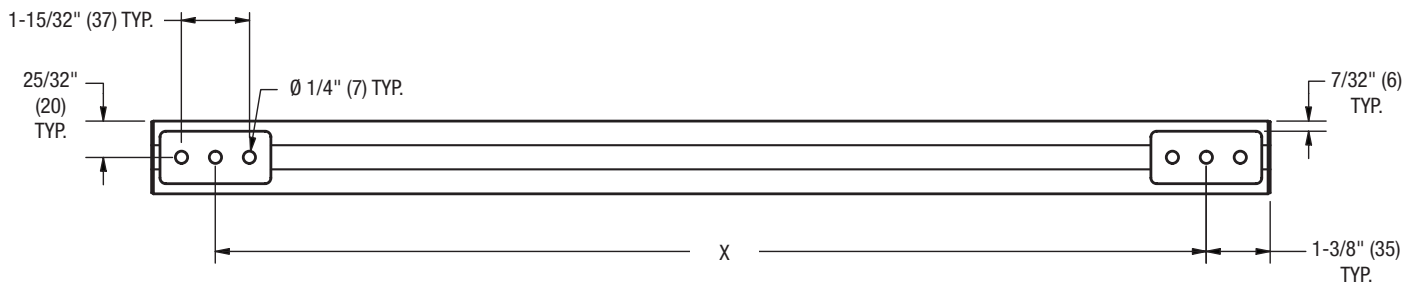
# Dimensions – 8B1 Series without Hooks

(mm)

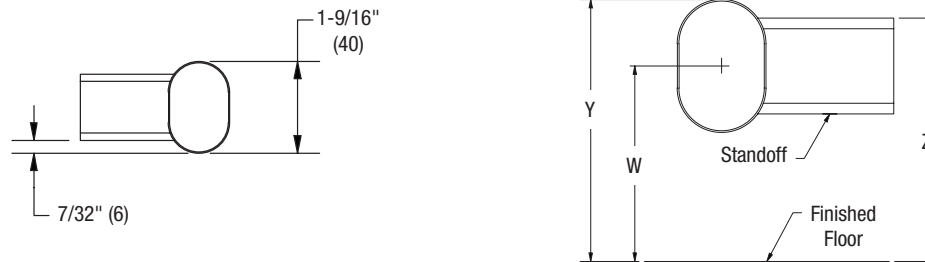
## Top View



## Back View



## Side View



Grab Bar Part Number	Grab Bar Length "A"	Centerline of Standoffs "X"	Off Finish Floor Dim "Y" @ 33"	Off Finish Floor Dim "Y" @ 34"	Off Finish Floor Dim "Y" @ 35"	Off Finish Floor Dim "Y" @ 36"
8B1-0011800 & 8B1-0011896	18" (457)	15-1/4" (387)	<b>Top of Standoff Dim "Z"</b> 32-25/32" (833)  <b>Centerline of Standoff Dim "W"</b> 32-7/32" (818)	<b>Top of Standoff Dim "Z"</b> 33-25/32" (858)  <b>Centerline of Standoff Dim "W"</b> 33-7/32" (844)	<b>Top of Standoff Dim "Z"</b> 34-25/32" (883)  <b>Centerline of Standoff Dim "W"</b> 34-7/32" (869)	<b>Top of Standoff Dim "Z"</b> 35-25/32" (909)  <b>Centerline of Standoff Dim "W"</b> 35-7/32" (895)
8B1-0012400 & 8B1-0012496	24" (610)	21-1/4" (540)				
8B1-0013600 & 8B1-0013696	36" (914)	33-1/4" (845)				
8B1-0014200 & 8B1-0014296	42" (1067)	39-1/4" (997)				
8B1-0014800 & 8B1-0014896	48" (1219)	45-1/4" (1149)				

## Installing Grab Bar without Hooks



Verify all rough-in dimensions prior to installation.

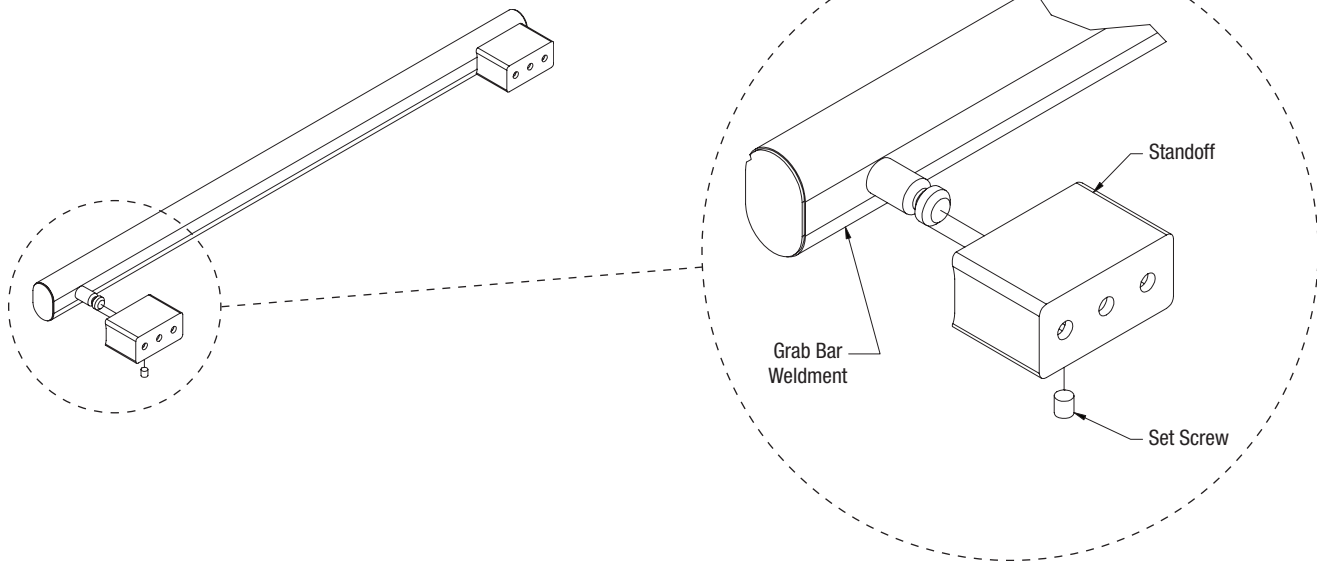
**⚠ WARNING** Wall must be reinforced in the area of the grab bar in order to support the load it is intended to support.

**A** Remove the standoffs from the grab bar weldment by loosening the 1/4"-20 set screws.

**B** Drill holes and set the anchors (if applicable) per the dimensions on page 4.

**C** Mount the standoffs to the surface. Confirm fitup by using the grab bar weldment. Fully tighten standoff screws to secure in place.

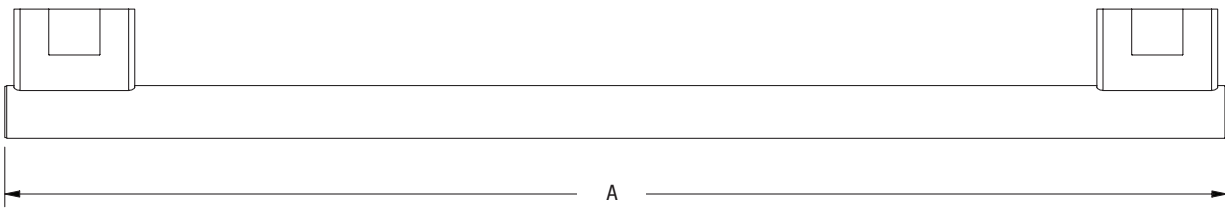
**D** Mount the grab bar weldment to standoffs and torque the set screws to 35 in-lb.



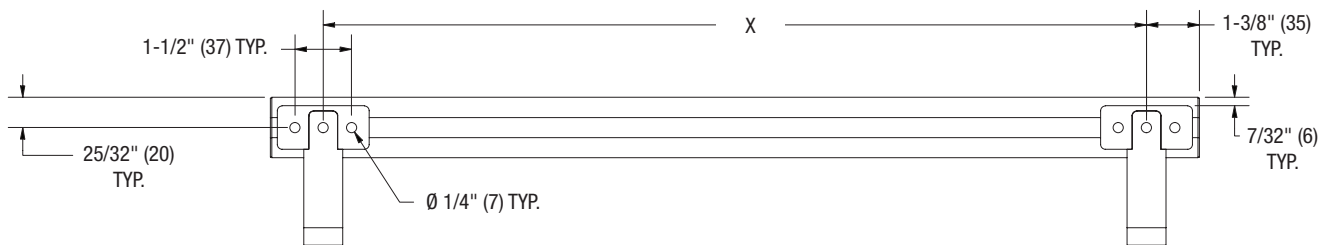
# Dimensions – 8B1 Series with Hooks

(mm)

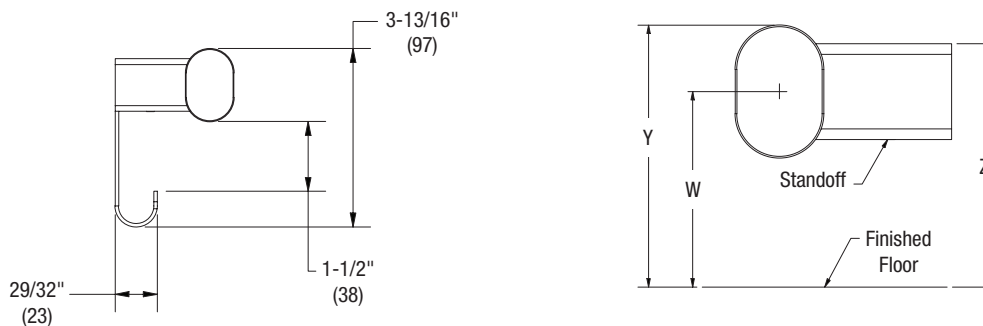
## Top View



## Back View



## Side View



Grab Bar Part Number	Grab Bar Length "A"	Centerline of Standoffs "X"	Off Finish Floor Dim "Y" @ 33"	Off Finish Floor Dim "Y" @ 34"	Off Finish Floor Dim "Y" @ 35"	Off Finish Floor Dim "Y" @ 36"
8B1-0011800 & 8B1-0011896	18" (457)	15-1/4" (387)	<b>Top of Standoff Dim "Z"</b> 32-25/32" (833)  <b>Centerline of Standoff Dim "W"</b> 32-7/32" (818)	<b>Top of Standoff Dim "Z"</b> 33-25/32" (858)  <b>Centerline of Standoff Dim "W"</b> 33-7/32" (844)	<b>Top of Standoff Dim "Z"</b> 34-25/32" (883)  <b>Centerline of Standoff Dim "W"</b> 34-7/32" (869)	<b>Top of Standoff Dim "Z"</b> 35-25/32" (909)  <b>Centerline of Standoff Dim "W"</b> 35-7/32" (895)
8B1-0012400 & 8B1-0012496	24" (610)	21-1/4" (540)				
8B1-0013600 & 8B1-0013696	36" (914)	33-1/4" (845)				
8B1-0014200 & 8B1-0014296	42" (1067)	39-1/4" (997)				
8B1-0014800 & 8B1-0014896	48" (1219)	45-1/4" (1149)				

## Installing Grab Bar with Hooks



Verify all rough-in dimensions prior to installation.

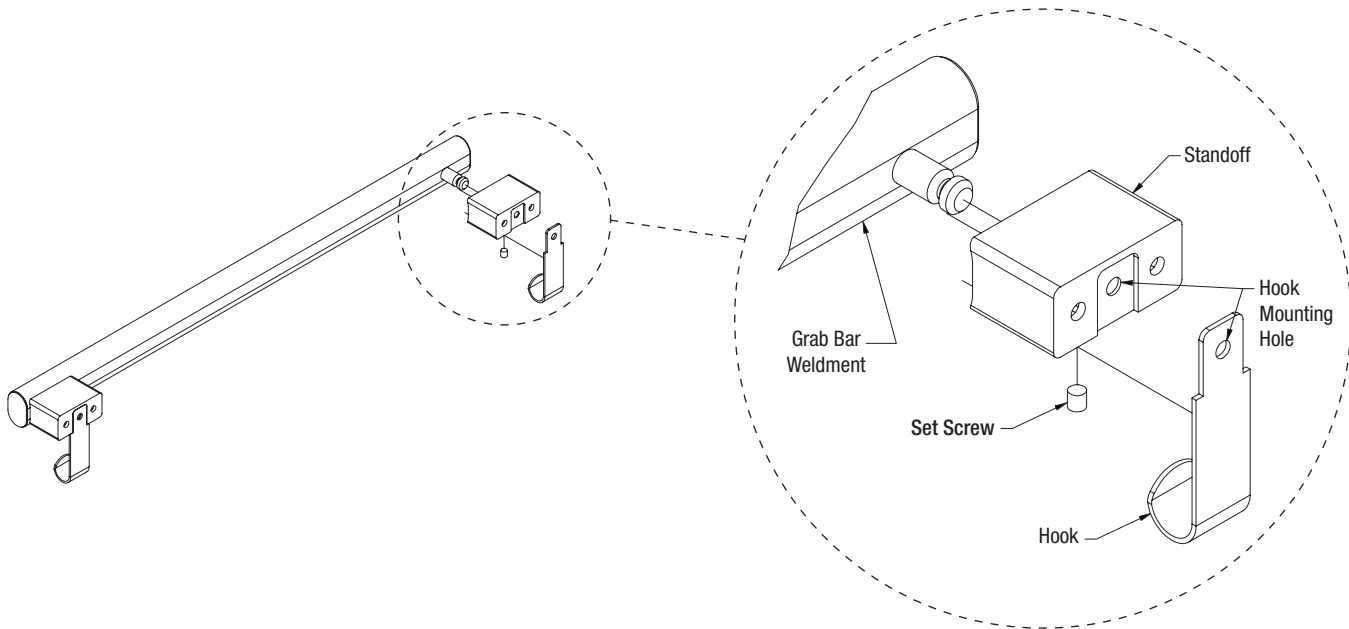
**⚠ WARNING** Wall must be reinforced in the area of the grab bar in order to support the load it is intended to support.

**A** Remove the standoffs with hooks from the grab bar weldment by loosening the 1/4"-20 set screws.

**C** Mount the standoffs and hook to the surface. Confirm fitup by using the grab bar weldment. Fully tighten standoff screws to secure in place.

**B** Drill holes and set the anchors (if applicable) per the dimensions on page 5.

**D** Mount the grab bar weldment to standoffs and torque the set screws to 35 in-lb.



## Cleaning and Maintenance

Scan the QR code below to view the Stainless Steel Washroom Accessories document.

