

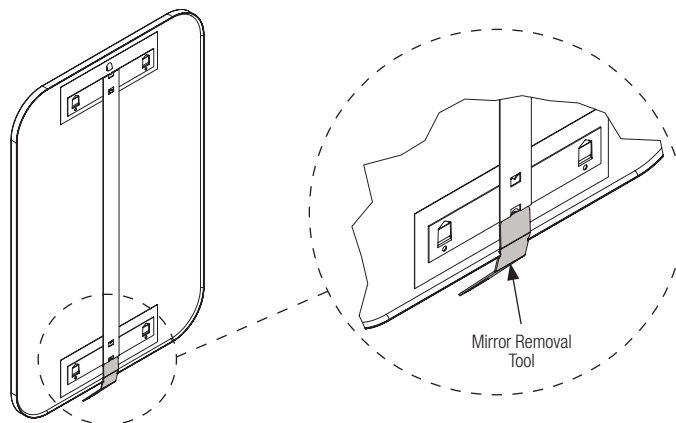


Elvari™ Mirror Removal Tool Instructions

330-166

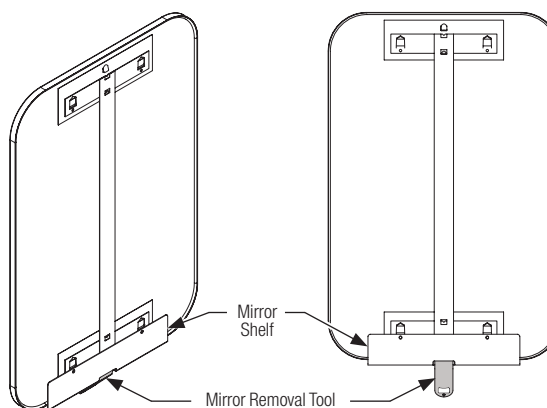
- Models 7B1-00XXXX and 7B1-20XXXX:** While holding the handle side of the mirror removal tool in one hand, center the removal tool with the center of the mirror and then place the working end of the removal tool behind the mirror.

It may be necessary to shimmy the removal tool in order to get it behind the mirror.

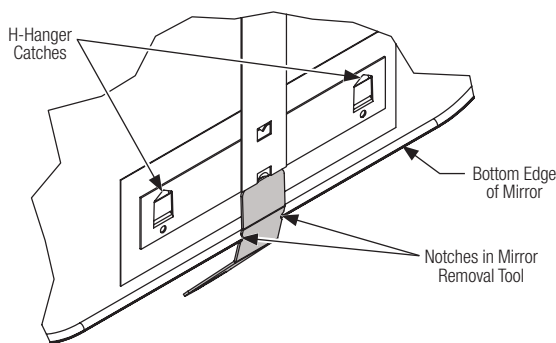


- Models 7B1-10XXXX and 7B1-30XXXX:** While holding the handle side of the mirror removal tool in one hand, insert the removal tool through the bottom center opening in the mirror shelf and then place the working end of the tool between the mirror and shelf.

It may be necessary to shimmy the removal tool in order to get it between the mirror and shelf.



- Push the flat side of the removal tool straight up until the notches in the tool line up with the bottom of the mirror edge or until the tool is fully inserted behind the mirror.
- Use one hand to gently pivot the removal tool handle against the wall while using the other hand to gently lift the mirror off the H-hanger catches.



Scan or click code to view English instructions



Scan or click code to view French instructions



Scan or click code to view Spanish instructions