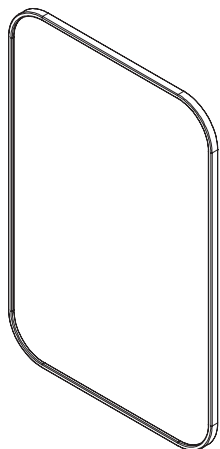


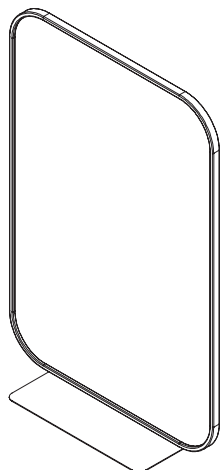
Installation and Maintenance Guide

Elvari™ Frame Mirror

Model 7B1 Series



Frame Mirror



Frame Mirror with Shelf

Table of Contents

Safety Information	2
Dimensions.....	2
Installing the Frame Mirror	3
Cleaning and Maintenance.....	4



[Scan or click code to view Installation Guide \(English\)](#)



[Scan or click code to view Installation Guide \(French\)](#)



[Scan or click code to view Installation Guide \(Spanish\)](#)



Read the instructions in this manual before beginning installation. Save these instructions and refer to them for operation and maintenance information.

For questions regarding the operation, installation, or maintenance of this product, visit bradleycorp.com or call 800.BRADLEY (800.272.3539). Product warranties and parts information may also be found under "Resources" on our website at bradleycorp.com.



Safety Information

WARNING

The frame mirror assembly is no stronger than the anchors and walls to which they are attached, and therefore, must be firmly secured in order to meet regulatory requirements. To avoid potential injury, the building owner or maintenance personnel should remove the frame mirror from service if the mounting is not adequately secured to the wall or if there are any observed product defects.

All mounting hardware is supplied by installer and must be appropriate for wall construction. Wall anchors/backing used must provide adequate support for the intended load requirements. Always check local codes and ordinances prior to installation.

CAUTION

Use extreme care when removing the wall bracket from the back of the mirror. Do not allow the tabs or slots to become flat or bend out of shape.

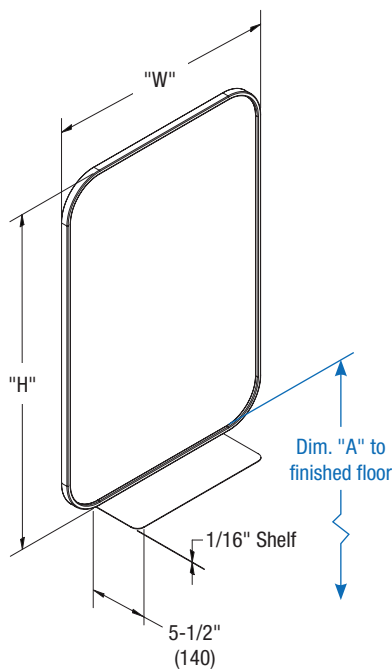
IMPORTANT

Read this entire installation manual to ensure proper installation. When installation is complete, file this manual with the owner or maintenance department. Compliance and conformity to local codes and ordinances is the responsibility of the installer.

Separate parts from packaging and make sure all parts are accounted for before discarding any packaging material. If any parts are missing, do not begin installation until you obtain the missing parts.

Dimensions

(mm)



Standard Model Number	Width "W" (mm)	Height "H" (mm)	Shelf Width (mm)
7B1-0018300	18" (457)	30" (762)	n/a
7B1-0018360	18" (457)	36" (915)	n/a
7B1-0024360	24" (610)	36" (915)	n/a
7B1-2018300	18" (457)	30" (762)	10" (254)
7B1-2018360	18" (457)	36" (915)	10" (254)
7B1-2024360	24" (610)	36" (915)	10" (254)

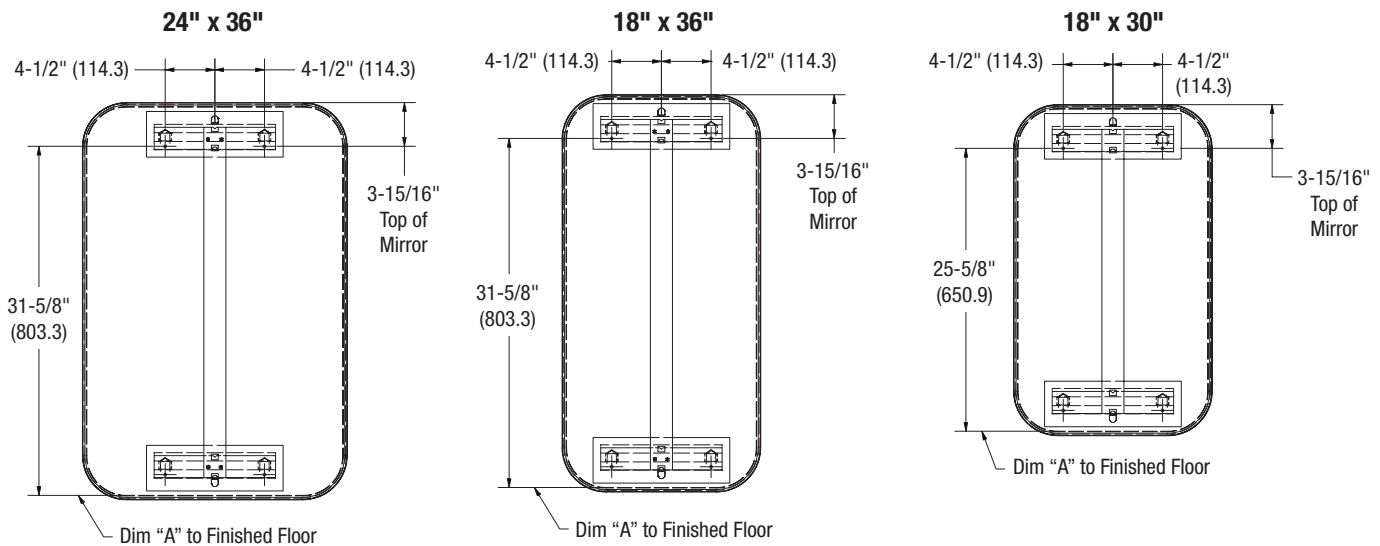
Dim. "A" Key Surface:	For Dim. "A" (mm)	Bottom of Unit (mm)
Mirror's bottom edge of the reflecting surface to finished floor	40" (1016)	39-5/8" (1006)
	37" (940)	36-5/8" (930)
	34" (864)	33-5/8" (854)

Installing the Frame Mirror

⚠ WARNING Wall must be reinforced in the area of the mirror in order to support the load it is intended to support.

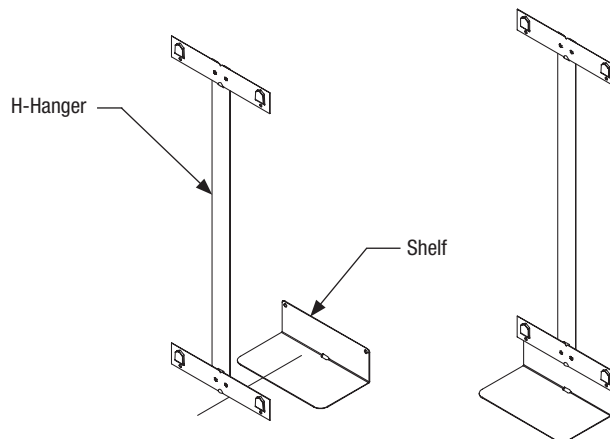
- Use 1/4" mounting kits and anchoring devices suitable for the type of wall construction.
- Verify all rough-in dimensions prior to installation.
- For ease of installation, allow a minimum of 1-1/2" (38 mm) of clear space above the mounted mirror.

A With the tabs pointing up, use the H-hanger as a template to mark the mounting hole locations per the illustration shown below. It is also recommended to transfer the centerline from the H-Hanger V-notch onto the mounting surface if the centerline is not marked yet. The visible centerline will better align the H-hanger with the mirror. If needed, mark the centerline on the front of the mirror.



- Continue with Step B for Models 7B1-20xxxxx.
- Skip Step B and continue with Step C on the next page for Models 7B1-00xxxxx.

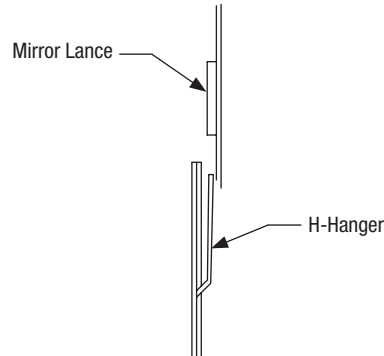
B Locate the mirror shelf and place the shelf between the wall mounting surface and the H-hanger. Secure the shelf and the bottom of the H-hanger first, and then secure the top of the H-hanger.



Installing the Frame Mirror (cont.)

C Line up the centerline of the mirror with the center mark on the mounting surface, and then slide the mirror lances down over each tab of the H-hanger. With the top two lances down over each tab, lift the mirror straight back up and off the tabs. Push the bottom of mirror to the wall, and then slide the mirror down again. Repeat the process until all lances are down and over each tab.

Verify the slots on the back of the mirror slide over ALL of the wall bracket tabs. When the mirror is secured to the wall, a concealed locking tab will snap into the locking position (you will hear the locking tab snap into place).



D After installation is complete, try to remove the mirror from the wall. If the mirror lifts off of the wall, check for damaged tabs or slots. If the mirror does not lift off of the wall, it has been installed correctly.

If the mirror needs to be removed, a special tool (330-166) from Bradley is needed to press down the locking tabs.

Cleaning and Maintenance

Scan or click the QR code below to view the Stainless Steel Washroom Accessories document.

