

Installation and Maintenance Guide

Elvari™ Napkin Disposal, Recessed

Model 4B2-00

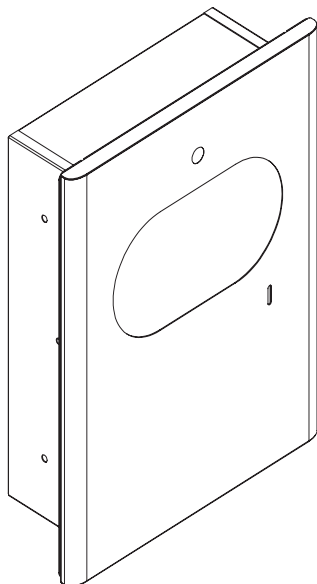


Table of Contents

Safety Information	2
Dimensions.....	2
Installing the Recessed Disposal	3
Cleaning and Maintenance.....	3



[Scan or click code to view Installation Guide \(English\)](#)



[Scan or click code to view Installation Guide \(French\)](#)



[Scan or click code to view Installation Guide \(Spanish\)](#)



Read the instructions in this manual before beginning installation. Save these instructions and refer to them for operation and maintenance information.

For questions regarding the operation, installation, or maintenance of this product, visit bradleycorp.com or call 800.BRADLEY (800.272.3539). Product warranties and parts information may also be found under "Resources" on our website at bradleycorp.com.



Safety Information

WARNING

Napkin disposals are no stronger than the anchors and walls to which they are attached, and therefore, must be firmly secured in order to meet regulatory requirements. To avoid potential injury, the building owner or maintenance personnel should remove the napkin disposal from service if the mounting is not adequately secured to the wall or if there are any observed product defects.

All mounting hardware is supplied by installer and must be appropriate for wall construction. Wall anchors/backing used must provide adequate support for the intended load requirements. Always check local codes and ordinances prior to installation.

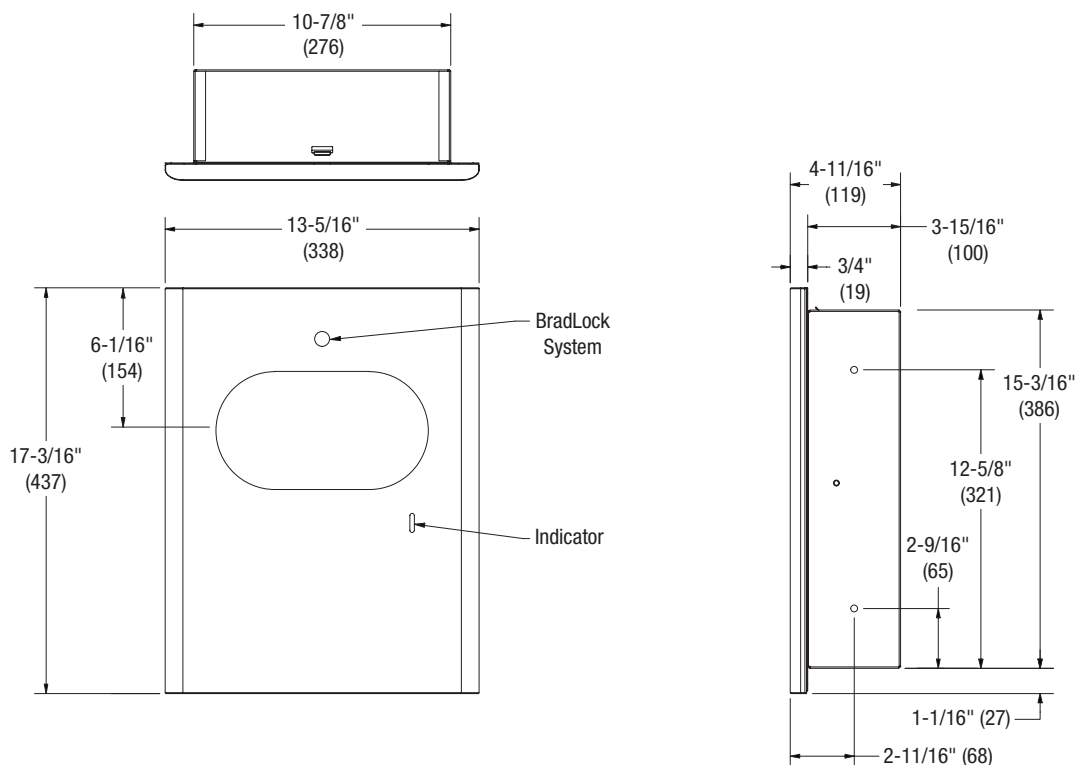
IMPORTANT

Read this entire installation manual to ensure proper installation. When installation is complete, file this manual with the owner or maintenance department. Compliance and conformity to local codes and ordinances is the responsibility of the installer.

Separate parts from packaging and make sure all parts are accounted for before discarding any packaging material. If any parts are missing, do not begin installation until you obtain the missing parts.

Dimensions

(mm)



Installing the Recessed Disposal



Coordinate installation with architect and contractor to avoid protrusion from opposite wall or pipes, vents, conduits, electrical wiring, etc., in wall.

Follow all applicable local building codes. If installing where unit projects above top of wainscot, provide aluminum channel or other filler to prevent gap from finished wall and flange of unit. For block walls, use metal expansion shields (not included).



Verify all rough-in dimensions prior to installation.

A

Drill holes and set the anchors (not included) per the four mounting hole locations shown in the illustration on page 2.

B

Place the magnetic key (included) on the Bradley logo to release the locking mechanism and then open the disposal door.

C

Remove the plastic waste receptacle from the disposal unit.

D

Set the disposal unit into the rough-in wall opening and secure using four mounting screws (not included).

E

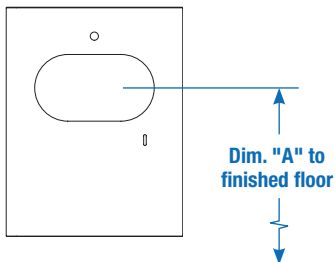
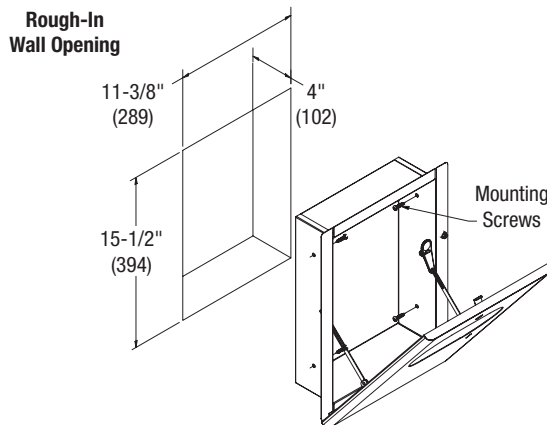
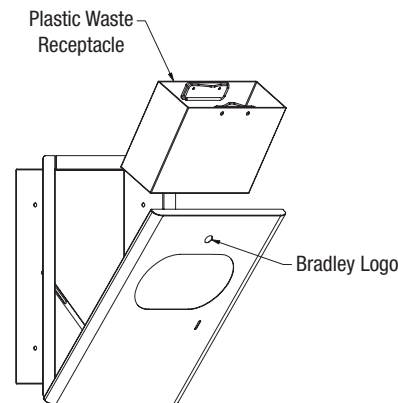
Insert the plastic waste receptacle back into the disposal unit.

F

Close the disposal door and remove the magnetic key. Ensure the indicator is reset, not showing red.



For custodial purposes, the indicator will show red after just one opening of the door. The indicator resets automatically after opening the disposal and relocking the disposal door using the magnetic key.



Dim. "A" Key Surface:	For Dim. "A"	Top of Rough Wall Opening	Bottom of Rough Wall Opening
Top of napkin disposal opening to finished floor	48" (1219)	53-3/8" (1356)	37-7/8" (962)
	40" (1016)	45-3/8" (1153)	29-7/8" (759)
	32" (813)	37-3/8" (949)	21-7/8" (556)
	24" (610)	29-3/8" (746)	13-7/8" (352)

Cleaning and Maintenance

Scan or click the QR code below to view the Stainless Steel Washroom Accessories document.

