



A WATTS Brand

4B2-00

Elvari™ Recessed Napkin Disposal

Key Features

- High quality and modern style complements other [Elvari™ products](#)
- Concealed BradLock™ magnetic locking system
- Unique indicator to alert maintenance staff
- Leak-proof waste container
- Wall saver, anti-slam design

Operation

Front door pushes open for end user to dispose of sanitary product waste. Red indicator allows custodial staff to quickly see if unit has been used and automatically resets after staff has emptied unit. Front cover opens for sanitary removal of liners and includes hinge with wall-saver, anti-slam design. Utilizes standard paper or plastic liners. Integrated liner clips hold liner in place. BradLock system and magnetic key provide security, a seamless design, and easy access for service. Magnetic lock location is hidden from view behind the Bradley logo.

Guide Specification

Recessed napkin/tampon disposal unit with self-trimming design. Capacity 1.5 gal (0.2 cu. ft.). Equipped with push flap door with concealed hinges, hinged drop-down service door with BradLock system, and removable, leak-proof waste container. Formed from 20-gauge, 300 series stainless steel in a brushed #3 satin finish or optional electrocoat finishes.

Overall Dimensions:

17-3/16" H x 13-5/16" W x 4-11/16" D (437mm x 338mm x 119mm)

MasterFormat Title: Commercial Toilet Accessories


MasterFormat Number: 10 28 13.13

OmniClass Title: Toilet and Bath Specialties

OmniClass Code: 23.31.25.00

Product Compliance

Complies with

- The Americans with Disabilities Act (ADA) 
- ANSI/ICC A117.1 - Accessible and Usable Buildings & Facilities

Listed by UL Environment to

- GreenGuard Gold



- Consult local and national accessibility codes for proper installation guidelines. Conformity and compliance with local and national codes is the responsibility of the installer.

Orders composed of products indicated as **BradEX**® will be available to ship in three days after receipt of order at the factory. There is no pricing penalty for this service from Bradley.

Verify all rough-in dimensions prior to installation.

Page 1 of 2

1/31/2024

[View Latest Version](#)

This information is subject to change without notice.

Bradley_NapkinDisposal_4B2-00



Finishes

- Click on any color swatch to view as a larger image.

	Brushed Black*
	Brushed Brass*
	Brushed Bronze*
	Brushed Nickel*
	Brushed Stainless*
	Satin Stainless

*Electrocoat Finishes, see Optional Electrocoat Finishes section on page 2.

For information on Warranties, Maintenance and BAA/ARRA Compliance, visit our website at: bradleycorp.com/washroom-accessories-products

© 2024 Bradley

P.O. Box 309, Menomonee Falls, WI 53052-0309

800 BRADLEY (800 272 3539) +1 262 251 6000

bradleycorp.com



A WATTS Brand

4B2-00

Elvari™ Recessed Napkin Disposal

Optional Electrocoat Finishes

Bradley offers an exclusive, proprietary electrocoat color process on the Elvari napkin disposal models. Unlike powder coating, color is applied to the entire stainless steel part using a submersion process with electrically charged particles. This process results in a precise film thickness across all surfaces, allowing the grain of the stainless steel to show through.

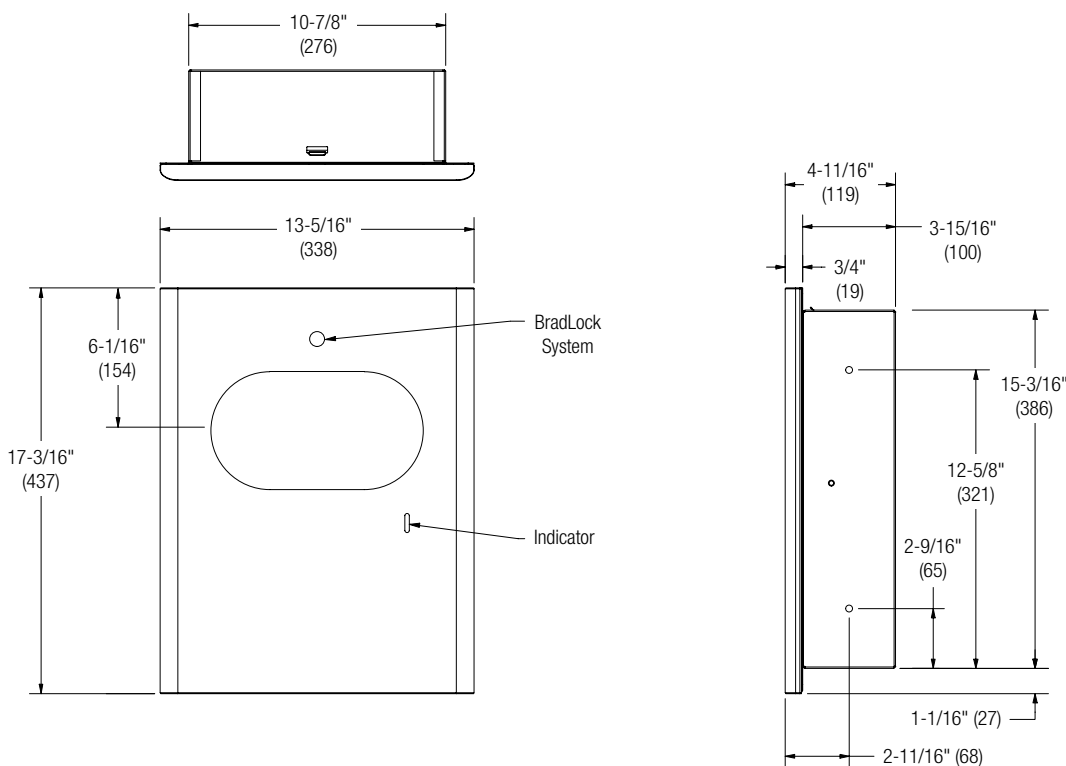
Electrocoat provides complete coverage to the part and has environmental advantages such as no or low-VOC and HAPs (Hazardous Air Pollutants), heavy metal-free products, and minimum waste discharge. Bradley's electrocoat is durable and easy to clean as well as fingerprint, stain and corrosion resistant. A UV light stabilizer additive enhances resistance to weathering and color fade. Products are performance tested for adhesion following ASTM D3359-22 and impact resistance following ASTM D2794.

Model (Must select one)	
4B2	Elvari Napkin Disposal
Standard Selections (Must select one from each category)	
Mounting Type (select one)	
0	Recessed
Napkin Disposal Finish Type (Must select one)	
BB	Brushed Black
BR	Brushed Brass
BZ	Brushed Bronze
BN	Brushed Nickel
BS	Brushed Stainless
SS	Satin Stainless ¹

¹ Model available with **BradEX**® expedited shipping.

Dimensions

(mm)



Orders composed of products indicated as **BradEX**® will be available to ship in three days after receipt of order at the factory. There is no pricing penalty for this service from Bradley.

Verify all rough-in dimensions prior to installation.