

Installation and Maintenance Guide

Elvari™ Napkin Disposal, Surface-Mounted

Model 4B2-11

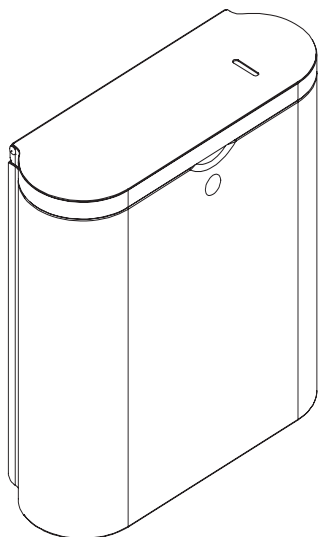


Table of Contents

Safety Information	2
Dimensions.....	2
Installing the Surface-Mounted Disposal	3
Maintenance and Cleaning.....	4



[Scan or click code to view Installation Guide \(English\)](#)



[Scan or click code to view Installation Guide \(French\)](#)



[Scan or click code to view Installation Guide \(Spanish\)](#)



Read the instructions in this manual before beginning installation. Save these instructions and refer to them for operation and maintenance information.

For questions regarding the operation, installation, or maintenance of this product, visit bradleycorp.com or call 800.BRADLEY (800.272.3539). Product warranties and parts information may also be found under "Resources" on our website at bradleycorp.com.



Safety Information

WARNING

Napkin disposals are no stronger than the anchors and walls to which they are attached, and therefore, must be firmly secured in order to meet regulatory requirements. To avoid potential injury, the building owner or maintenance personnel should remove the napkin disposal from service if the mounting is not adequately secured to the wall or if there are any observed product defects.

All mounting hardware is supplied by installer and must be appropriate for wall construction. Wall anchors/backing used must provide adequate support for the intended load requirements. Always check local codes and ordinances prior to installation.

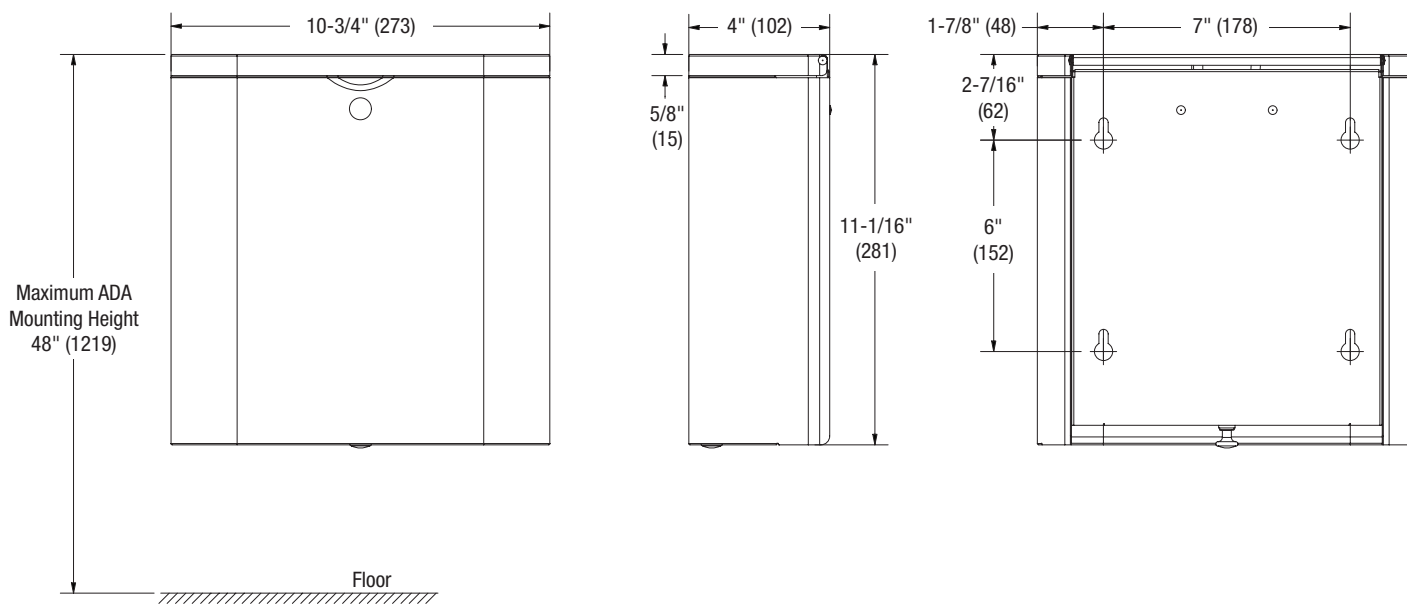
IMPORTANT

Read this entire installation manual to ensure proper installation. When installation is complete, file this manual with the owner or maintenance department. Compliance and conformity to local codes and ordinances is the responsibility of the installer.

Separate parts from packaging and make sure all parts are accounted for before discarding any packaging material. If any parts are missing, do not begin installation until you obtain the missing parts.

Dimensions

(mm)



Installing the Surface-Mounted Disposal



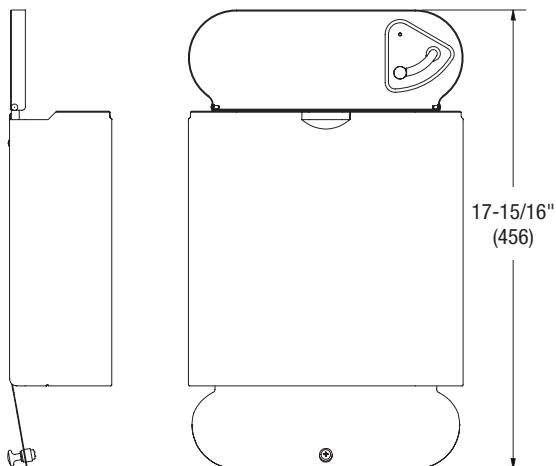
Coordinate installation with architect and contractor to avoid protrusion from opposite wall or pipes, vents, conduits, electrical wiring, etc., in wall.

Follow all applicable local building codes. If installing where unit projects above top of wainscot, provide aluminum channel or other filler to prevent gap from finished wall and flange of unit. For block walls, use metal expansion shields (not included).

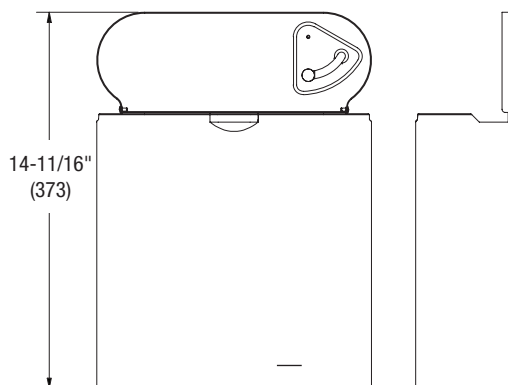
A Drill holes and set the anchors (not included) per the mounting hole locations shown in the illustration on page 2.

B Position the napkin disposal on the wall and secure in place using appropriate fasteners.

**Clearance Requirements
Top & Bottom Opened**



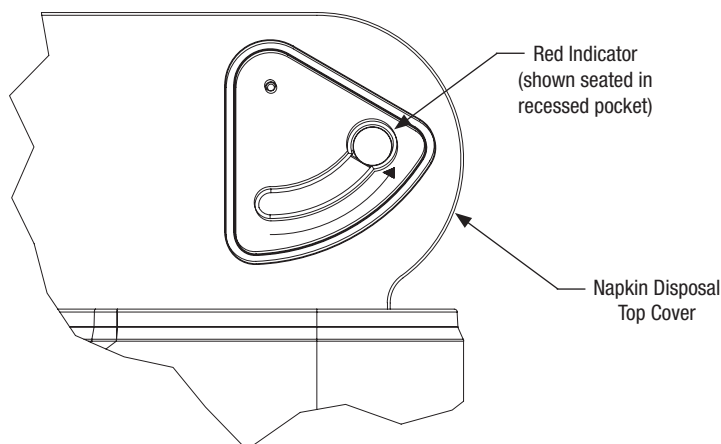
**Clearance Requirements
Top Opened**



Maintenance and Cleaning

Resetting the Red Indicator

When the user opens the top cover to dispose of sanitary product waste, the red indicator is triggered, allowing custodial staff to quickly see the unit has been used. To reset the indicator, open the top cover and rotate the indicator pin counter-clockwise until it is properly seated in the recessed pocket.



Replacing Disposal Liners

Use the pull knob to open the bottom door, and then remove the used liner. Insert new liner through top cover access and secure in place using the integrated liner clips.

Cleaning Stainless Steel

Scan or click the QR code below to view the Stainless Steel Washroom Accessories document.

