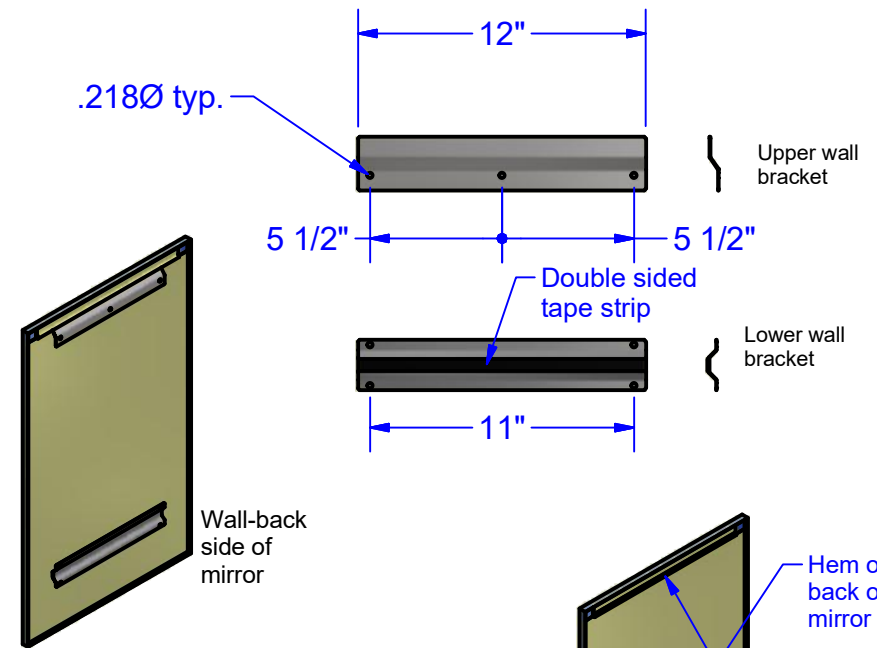
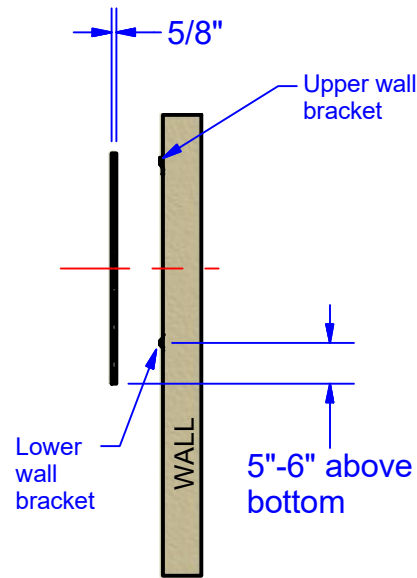
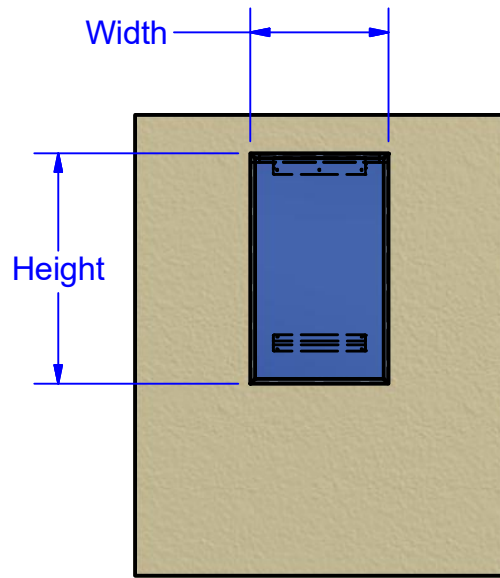




Technical Data Sheet

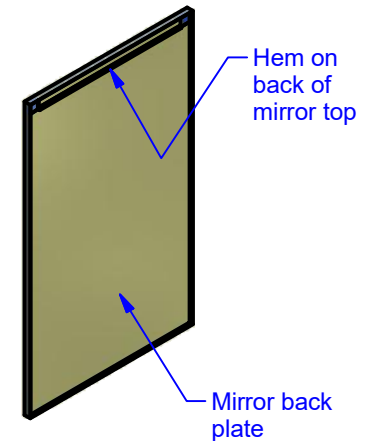
T-10XX-XX-SS

T Series-Universal Frame Mirror



Part #	Width	x	Height
T-1016-20-SS	16"	x	20"
T-1016-24-SS	16"	x	24"
T-1018-24-SS	18"	x	24"
T-1018-30-SS	18"	x	30"
T-1018-36-SS	18"	x	36"
T-1024-30-SS	24"	x	30"
T-1024-36-SS	24"	x	36"

Consult local and national accessibility codes for proper installation guidelines. Conformity and compliance to local and national codes is the responsibility of the installer. Mirrors are only as strong as the anchoring devices and the wall on which it is mounted to. Mirrors shall be mounted with the bottom edge of the reflecting surface no higher than 40 in. above the finished floor. If mirrors are to be used by both ambulatory people and wheelchair users, then they must be at least 74 in. high at their topmost edge. Mirrors provided above lavatories designed for children should be mounted with the bottom edge of the reflecting surface no higher than 34 in. above the finished floor or at the lowest mounting height permitted by fixtures and related elements.



Construction:

- Mirrors are fabricated from one piece, 18 ga., 5/8 inch x 5/8 inch type 304, satin finish, stainless steel angle frame with tightly mitered corners.
 - Mirror edges are protected by cushioned adhesive strips to prevent damage.
 - Mirror back is galvanized steel and sealed by continuously applied industrial adhesive.
 - Mirror is secured to wall by 2 vandal/theft resistant brackets.
- 1/4" float glass mirror is silvered and electrolytically copper plated by galvanic process, Mirrors meet Fed. Spec. DDM-411, DD-G-451d, ANSI 2-97.1-1983 and CPSC-Cat 2-16 CFR

Installation:

- Mount upper wall bracket. See above installation notes.
- Mount lower wall bracket approximately 5" to 6" above mirror bottom.
- Peel double sided tape liner off lower wall bracket.
- Place top of mirror above upper wall bracket against wall. Center.
- Carefully slide mirror down to fully engage mirror hem with upper wall bracket.
- Level.
- Carefully push lower portion of mirror toward the wall to attaché to industrial adhesive on lower wall bracket.

Specifications:

The Brey-Krause universal frame mirrors set a new standard in quality and installation ease. The innovative design and fabrication method results in a mirror with superior breakage and moisture resistance. Our vandal-resistant mounting system makes installation simple and fast! Flat, universal frame commercial restroom mirrors are easily converted to ADA tilt-frame mirrors by sliding them into the stainless steel tilt frame. This engineering innovation allows distributors to carry less stock and better respond to changes in demand. The adjustable frame brackets readily allow any flat public restroom mirror to be converted to an adjustable tilt frame for ADA compliance