



SURFACE-MOUNTED DOUBLE TOILET TISSUE HOLDER

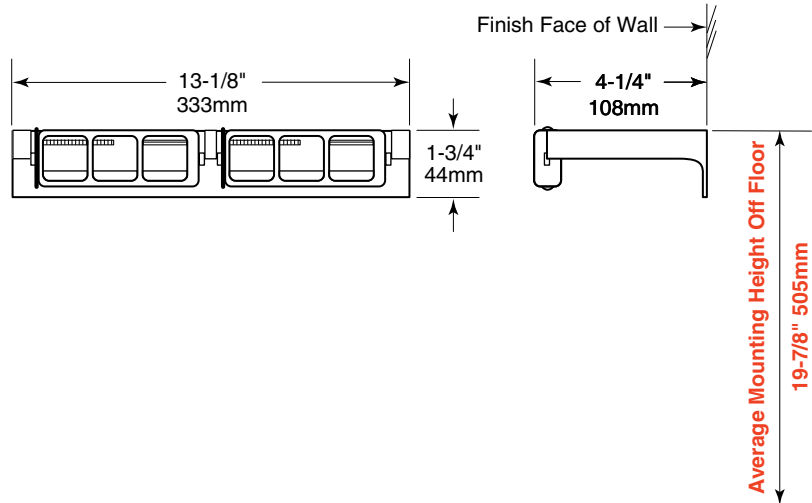
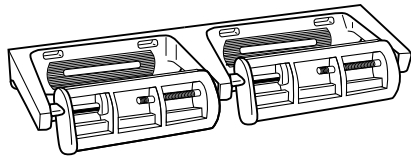
814

OPTIONS:

-NCR No Control Roll

Date:

Project Name:



CONSTRUCTION:

Constructed of die cast aluminum. Theft-resistant locking device spindle fabricated of grey polystyrene. Stainless steel spring.

CAPACITY:

Double roll capacity. Hold toilet tissue rolls up to 5-1/4" (133mm) diameter.

INSTALLATION:

Secure to wall with mounting screws (provided with unit) at holes provided.

OVERALL DIMENSIONS:

13-1/8" W x 1-3/4" H x 4-1/4" D (333 x 44 x 108mm)

MOUNTING:

ADA mounting guide - Toilet tissue rolls should be mounted with forward edge no more than 36" (914mm) from the back wall stall. All toilet tissue dispensers should be mounted with their horizontal centerline at least 19" (483mm) above the finish floor.

Surface-Mounted Double Toilet Tissue Holder shall be Model 814 of Gamco Commercial Restroom Accessories, One Gamco Place, Durant, OK, 74701-1910