



8111834

***EXP'AIR automatic grey metal
115V***



PRODUCT ADVANTAGES

- 35% more economical than competitors' models
- 50% quieter than competitors' models
- 100% accessible by people with reduced mobility and small children

EXP'AIR hand dryer automatic metallic gray with forced air. Anti-vandalism with aluminum hood and adapted to people with reduced mobility. Equipped with a water recovery tank or a direct evacuation solution. 3 years warranty.

**10 YEARS
REPAIRABLE**



**MADE IN
FRANCE**



8111834



EXP'AIR automatic grey metal 115V

SPECIFICATIONS

| | |
|---|---------------|
| Material | Aluminum |
| Colour | Grey |
| Water tray | Yes |
| Water tray capacity (oz) | 0.0338 |
| Drying time (s) | 10-15 |
| Sound level (dB) (1m in front of the appliance) | 75 |
| Outlet air speed (m/s) | 600 |
| Air flow rate (m³/h) | 140 |
| Air outlet temperature (°F) | 104 |
| Safety in case of malfunction | Yes |
| Filter | Copper filter |
| Vandal-safe | Yes |
| Antibacterial treatment | Yes |

ELECTRICAL

| | |
|---------------------------------------|------------|
| Rated Power (W) | 1000 |
| Voltage | 110_120V |
| Frequency (Hz) | 60 |
| Detection type | Capacitive |
| Motor speed (rpm) | 26500 |
| Type of motor | Brushed AC |
| Motor lifetime (number of operations) | 350000 |

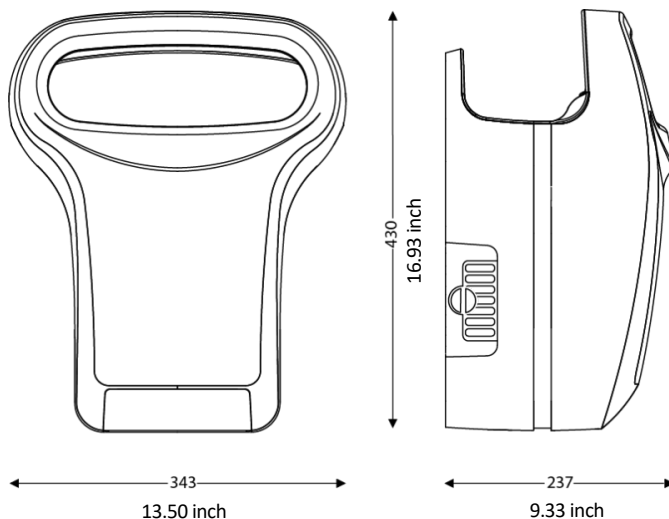
DIMENSIONS

| | |
|--------------|-------|
| Height (in.) | 16.93 |
| Width (in.) | 13.50 |
| Depth (in.) | 9.33 |
| Weight (lbs) | 13.23 |

BOX DIMENSIONS

| | |
|--------------|-------|
| Height (in.) | 13.39 |
| Width (in.) | 14.17 |
| Depth (in.) | 19.29 |
| Weight (lbs) | 17.64 |

TECHNICAL DRAWING



RECOMMENDED INSTALLATION HEIGHTS

- Men installation height (in.) : 29.53
- Women installation height (in.) : 25.59
- Children installation height (in.) : 21.65
- Disabled person installation height (in.) : 25.59

