

AirMax™ Series Hand Dryers



The High Speed and Heavy Duty Hand Dryers

WORLD DRYER

World AirMax series hand dryers are the industry standard for high speed hand dryers. It's suitable for high traffic facilities needing vandal resistant features.

Product Benefits

- Automatic or push-button operation
- Longest life of high speed hand dryers
- 15 second dry time; 2X faster than traditional dryers
- Uses only 1/2 the energy of standard dryers
- Low sound level
- Durable and vandal resistant
- Classic style design
- Surface or recess mounted with ADA compliance

Design Features

Dryer

- **Automatic unit** - Activated by infrared sensor, automatic drying cycle.
- **Push-button unit** - Activated by electro-mechanical timer with 25 Amp switch and 20 second cycle.
- Incorporates a 1600 watt Nichrome wire heating element Protected by an automatic-resetting, thermal cutoff
- Provides a 50° F temperature rise
- IPX1 ingress protection

Motor

- Thermally-protected, universal brush-type motor operating at 12,000 RPM
- Delivering 238 CFM air flow at a velocity of 8,624 LFM (98 MPH)

Materials

- Cover material: Cast Iron with porcelain enamel finish. Optional 14GA polished or brushed finish #304S.S. or epoxy enamel finish C.R. Steel.



AirMax Product Specifications

Electrical

	115 V	208 - 230 V	220 - 240 V
Amps	20	10	10
Watts	2300	2300	2300
Hz	60	60	50

Surface Mounted

Unit Size (HxWxD) 9.5" x 11.3" x 8.3" 241 mm x 287 mm x 211 mm

Shipping Size (HxWxD) 12.5" x 14.4" x 10.1" 317 mm x 366 mm x 256 mm

Recessed Mounted

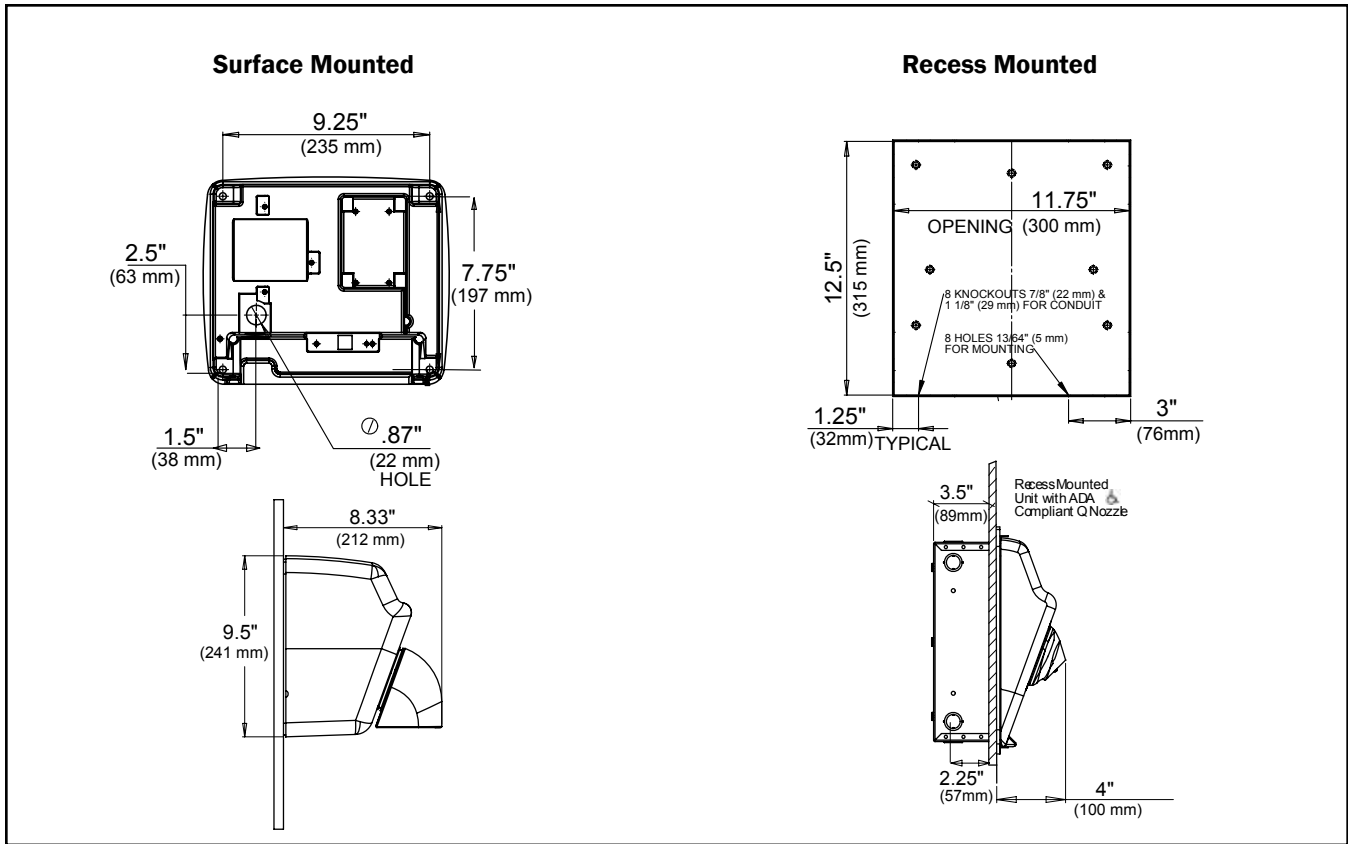
Unit Size (HxWxD) 13.8" x 13.1" x 4" 351 mm x 333 mm x 102 mm

Shipping Size (HxWxD) 15" x 15" x 11.25 381 mm x 381 mm x 286 mm

Architecture & Engineering Specifications

World Dryer AirMax hand dryers shall include a cover made of 1/4" thick cast iron with porcelain enamel finish. Optional 14GA polished or brushed finish #304S.S. or epoxy enamel finish C.R. Steel. Motor shall be universal type, 1/6 HP at 12,000 RPM. Dryers shall deliver 238 cubic feet per minute of air volume (8600 LFM). Timer shall be electro-mechanical cam-style with 25 AMP rated switch to operate dryer for 20 second period. Infrared sensor detect hands, initiates and terminates drying cycle. High-tech sensor control to provide 1,000,000 dry cycles. Recessed units use a 16-gauge steel wall mounting box. Hand dryers shall be listed under reexamination service of Underwriters Laboratories, Inc.

Operation	Cover Finish	Cover Material	Mounting	Unit Weight	115 V Stock #	208-230 V Stock #	220 -240 V Stock #
Push-Button	White	Cast Iron	Surface	29 lbs/13.15 kgs	M5-974	M54-974	M548-974
Automatic	White	Cast Iron	Surface	29 lbs/13.15 kgs	XM5-974	XM54-974	XM548-974
Push-Button	White	Stamped Steel	Surface	18 lbs/8.16 kgs	DM5-974	DM54-974	DM548-974
Automatic	White	Stamped Steel	Surface	18 lbs/8.16 kgs	DXM5-974	DXM54-974	DXM548-974
Push-Button	Polished	Stainless Steel	Surface	18 lbs/8.16 kgs	DM5-972	DM54-972	DM548-972
Automatic	Polished	Stainless Steel	Surface	18 lbs/8.16 kgs	DXM5-972	DXM54-972	DXM548-972
Push-Button	Brushed	Stainless Steel	Surface	18 lbs/8.16 kgs	DM5-973	DM54-973	DM548-973
Automatic	Brushed	Stainless Steel	Surface	18 lbs/8.16 kgs	DXM5-973	DXM54-973	DXM548-973
Push-Button	White	Cast Iron	Recessed	35 lbs/15.8 kgs	RM5-Q974	RM54-Q974	RM548-Q974
Automatic	White	Cast Iron	Recessed	35 lbs/15.8 kgs	XRM5-Q974	XRM54-Q974	XRM548-Q974
Automatic	Brushed	Stainless Steel	Recessed	28 lbs/12.7 kgs	DXRM5-Q973	DXRM54-Q973	DXRM548-Q973



Placement Instruction

- Hand dryers should be spaced at least 2’ apart, near but not over the wash basin
- Automatic dryers should be located more than 18” above or away from any reflective surface that may interfere with the sensor operation.
- In congested areas, dryers should be located to create a flow from wash basin to dryer to exit
- Dryer Quantity Recommendation:
 Average Traffic: 1 dryer per 2 wash basins
 Heavy Traffic: 1 dryer per wash basin
 Industrial 54” Circular wash fountains: 4 dryers per sink
- Recommended mounting heights from floor to dryer bottom edge

Washrooms	Surface Mounted	Recess Mounted
Men’s washrooms	46” (117 cm)	42” (107 cm)
Women’s washrooms	44” (112 cm)	40” (102 cm)
Children’s washrooms, ages 4-7	32” (81 cm)	28” (71 cm)
Children’s washrooms, ages 7-10	36” (91 cm)	32” (81 cm)
Children’s washrooms, ages 10-13	40” (102 cm)	36” (91 cm)
Children’s washrooms, ages 13-17	44” (112 cm)	40” (102 cm)
Handicap Mounting Height	37” (94 cm)	34” (86 cm)

Measured from floor to the bottom of the unit.

Installation Guide

- AirMax hand dryers require a dedicated 20 AMP circuit and must be properly grounded
- GFI circuit protection is recommended.
- One side of dryer should be mounted to a stud

Certification Approved



IPX1



Warranty



10 year limited warranty
 5 year on motor & sensor



5700 McDermott Drive
 Berkeley, IL 60163 U.S.A.
 800-323-0701
 www.worlddryer.com

92-MT007 Rev03