

NOVA® 1 Series & Nova® 2



Economical Hand Dryers

NOVA 1 Series & NOVA 2 are economical automatic hand dryers. The NOVA 1 & NOVA 2 hand dryers are universal voltage units that fit most electric supplies. NOVA 1 Plug-in is equipped with external three-prong conductor plug cord offers hassle-free quick installation. These hand dryers are economical washroom solutions for light traffic facilities.

Product Benefits

- Automatic operation promotes good hygiene
- Surface mounted
- Ultra compact design fits smaller size washrooms
- Competitive pricing and great value
- Low sound level

NOVA 1 & NOVA 2 -

- ADA compliant
- Universal voltage – accepts 110-120 / 208 / 220-240 VAC input

NOVA 1 Plug-in -

- Equipped with 6 foot long external three-prong conductor plug cord
- Easy installation

Design Features

- Activated by infrared sensor, automatic drying cycle.
- Incorporates Nichrome wire heating elements Protected with bi-metal thermostats and one shot thermal cutoffs
- Provides a 70°F temperature rise
- Thermally-protected, universal brush-type motor operating at 7,500 RPM
- NOVA1 - Delivering up to 88 CFM air flow at a velocity of 6,800 LFM (77 MPH)
- NOVA2 - Delivering up to 176 CFM air flow at a velocity of 5,300 LFM (60 MPH)



Architecture & Engineering Specifications

Nova® 1, NOVA 1 Plug-in & Nova 2 hand dryers shall be manufactured by World Dryer Corporation. Nova 1 and NOVA 1 Plug-in shall include cover of die cast Aluminum with white epoxy enamel. Motor shall be thermally protected brush type with minimum 7500 RPM with a single shaft. Dryer shall deliver 88 cubic feet per minute of air volume (6800 LFM). Nova2 hand dryers shall include cover of drawn steel with epoxy enamel or drawn brushed finish 304 stainless steel. Motor shall be thermally protected brush type with minimum 7500 RPM with double shaft. Dryer shall contain dual blowers and deliver 176 cubic feet per minute of air volume (5300 LFM). NOVA® 1 Plug-in units shall be equipped with a 6 foot long cord and three-prong conductor plug, and shall include mounting bracket and hardware. Plug-in units available only in 120 VAC, 60 Hz for use with common wall outlets. Both Nova 1 & Nova 2 shall be activated by an infrared sensor, and controlled by a microprocessor that allows multi-voltage application (110 VAC to 240 VAC - 50 or 60 Hz). Dryer shall be surface mounted. World Dryer Corporation shall be listed under reexamination service of Underwriters Laboratories, Inc.

Electrical specifications:

NOVA 1




	110-120 V	220-240 V
Amps	8	7
Watts	1000	1700
Hz	60 Hz	60 Hz

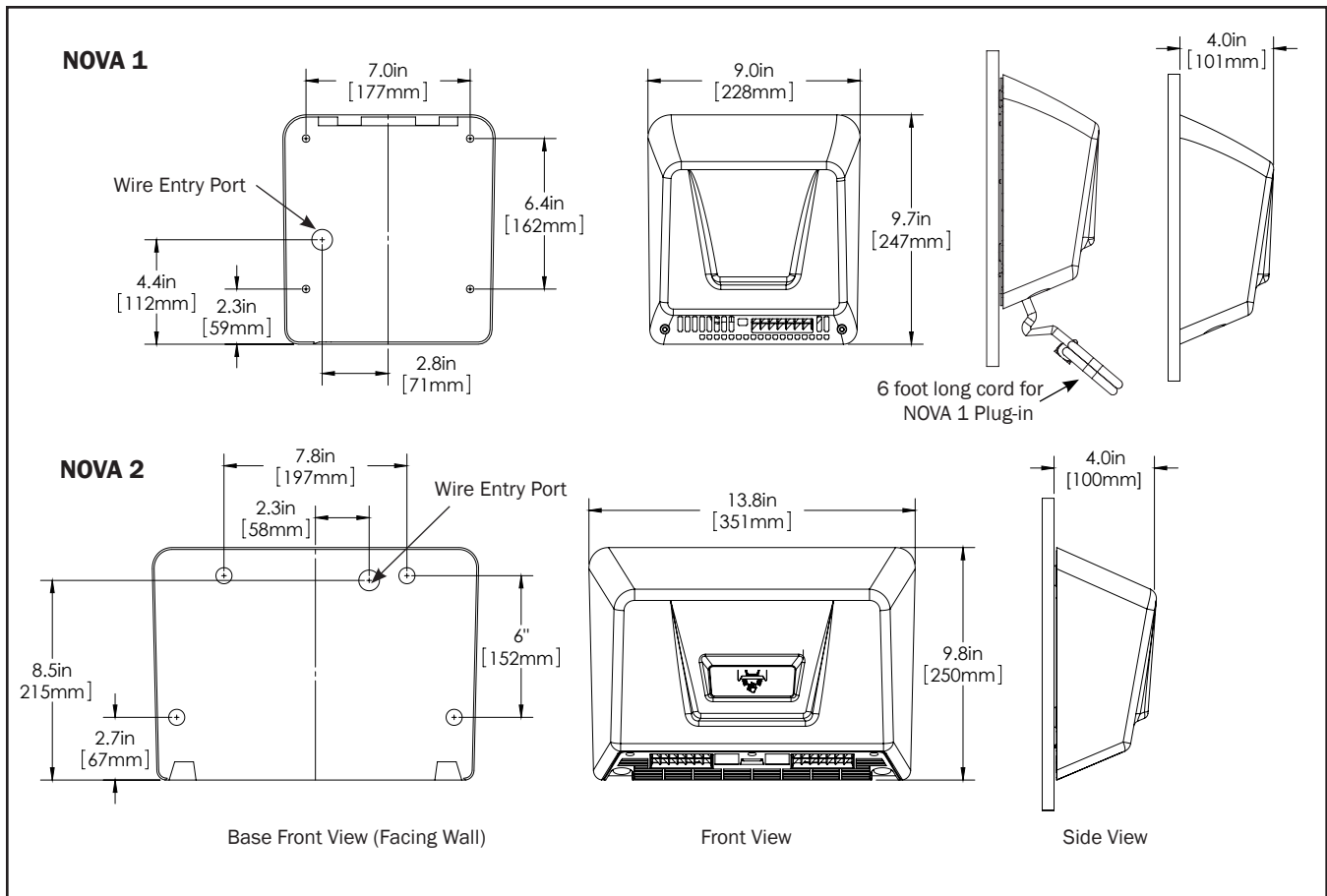
NOVA 1 Plug-in

	110- 120 V
Amps	8
Watts	1000
Hz	60

NOVA 2

	110-120 V	220-240 V
Amps	15	10
Watts	1800	2400
Hz	60 Hz	60 Hz

Product	110- 120 V	208-240 V	Operation	Mounted	Cover Material, Cover Finish	Unit Wt.	Shipping Wt.	Unit Size (HxWxD) inch/mm	Shipping Size (HxWxD) inch/mm
NOVA 1	0830	0830	Automatic	Surface 	Aluminum, White, Univ. Voltage	6.5 lbs 2.9 kgs	7.6 lbs 3.4 kgs	9.0" x 9.7" x 4" 228 x 246 x 100	13" x 12" x 8" 330 x 246 x 203
NOVA® 1 Plug-in	0833	-	Automatic	Surface	Aluminum, White	7.5 lbs 3.4 kgs	8.6 lbs 3.9 kgs	9.0" x 9.7" x 4" 228 x 246 x 100	13" x 12" x 8" 330 x 246 x 203
NOVA 2	0930	0930	Automatic	Surface 	Steel, White, Univ. Voltage	11.3 lbs 5.1 kgs	12.8 lbs 5.8 kgs	13.8" x 9.9" x 4" 351 x 251 x 100	16" x 13" x 8" 406 x 330 x 203
NOVA 2	093079	093079	Automatic	Surface 	Stainless Steel, Brushed, Univ. Volt.	10.5 lbs 4.8 kgs	11.9 lbs 5.4 kgs	13.8" x 9.9" x 4" 351 x 251 x 100	16" x 13" x 8" 406 x 330 x 203



Placement Instruction

- Hand dryers should be spaced at least 2 feet apart, near but not over the wash basin
- In congested areas, dryers should be located to create a flow from wash basin to dryer to exit
- NOVA 1 & NOVA 2 should be mounted at least 18" above or away from reflective surfaces which may interfere with the automatic sensor operation.
- Dryer Quantity Recommendation:
Average Traffic: 1 dryer per 2 wash basins
Heavy Traffic: 1 dryer per wash basin
Industrial 54" Circular wash fountains: 4 dryers per sink
- Recommended mounting heights from floor to dryer bottom edge

Men's washrooms	46" (117 cm)
Women's washrooms	44" (112 cm)
Children's washrooms, ages 4-7	32" (81 cm)
Children's washrooms, ages 7-10	36" (91 cm)
Children's washrooms, ages 10-13	40" (102 cm)
Children's washrooms, ages 13-17	44" (112 cm)
Handicap Mounting Height	37" (94 cm)

Installation Guide

- NOVA 1 & NOVA 2 hand dryers require a dedicated circuit with a minimum rating of 15 amps and must be properly grounded
- GFI circuit protection is recommended
- One side of dryer should be mounted to a stud to minimize noise

Certifications



IPX1

Warranty



2 year limited warranty



5700 McDermott Drive
Berkeley, IL 60163 U.S.A.
800-323-0701
www.worlddryer.com



92-MT015 Rev02