



# AQUASPEC<sup>®</sup> FAUCETS

MODEL - Z81200-XL SERIES

4" [102] CENTERSET

## TECHNICAL INFORMATION

**FLOW:** 2.2 GPM [8.3 L] PRESSURE COMPENSATING AERATOR

**MAXIMUM PRESSURE:** 125 PSI

**MAXIMUM TEMPERATURE:** 180°F

**HANDLE NUT TORQUE:** 15-20 IN-LBS

**CARTRIDGE STYLE:** QUARTER TURN CERAMIC DISK

(CAN USE ZURN METERING CARTRIDGE)

*\*OTHER AERATORS AVAILABLE BY REQUEST*

**⚠ WARNING:** Cancer and Reproductive Harm - [www.P65Warnings.ca.gov](http://www.P65Warnings.ca.gov)

**⚠ ADVERTENCIA:** Cáncer y daño reproductivo - [www.P65Warnings.ca.gov](http://www.P65Warnings.ca.gov)

**⚠ AVERTISSEMENT:** Cancer et effets néfastes sur la reproduction - [www.P65Warnings.ca.gov](http://www.P65Warnings.ca.gov)

## INSTALLATION INSTRUCTIONS

- REMOVE FAUCET BODY FROM CARTON AND APPLY PLUMBERS PUTTY TO UNDERSIDE OF BODY
- PLACE FAUCET ON SINK AND REMOVE MOUNTING NUTS (ITEM #7A OR #9A) FROM BAG G68042.
- HAND TIGHTEN MOUNTING NUTS FROM UNDER SINK. MAKE SURE FAUCET IS CENTERED PROPERLY. DO NOT OVER TIGHTEN.
- ATTACH LAVATORY SUPPLIES TO FAUCET WITH RISER NUTS (ITEM #7B OR #9B).
- OPTIONAL: POP-UP (-P)  
GRID STRAINER (-G)  
ADA OFFSET GRID DRAIN (-GH)  
INSTALL POP-UP OR GRID STRAINER IN SINK OUTLET AND PLUMB WASTE CONNECTION.
- INSTALL SPOUT INTO BASE AND TIGHTEN NUT (SEE VIEWS FOR SWING/RIGID CONNECTION). REFER TO "140° SWING INSTALLATION INSTRUCTIONS" FOR RESTRICTED SWING CONNECTION.
- TURN WATER SUPPLY ON AND OPERATE FAUCET CHECKING FOR LEAKS.
- IT MAY BE NECESSARY TO SHUT WATER OFF AND REMOVE CARTRIDGES TO CLEAN SUPPLY LINES. CARTRIDGES CAN BE REMOVED BY FIRST REMOVING THE HANDLES. COLOR INDEXES CAN BE REMOVED BY INSERTING A PIN INTO THE HOLE ON THE UNDERSIDE OF THE HANDLE. AFTER THE HANDLES HAVE BEEN REMOVED, UNSCREW THE HANDLE NUTS AND PULL UP ON THE CARTRIDGE.
- REPLACE CARTRIDGES IN BODY AND HAND TIGHTEN HANDLE NUTS. PLACE HANDLES ON THE CARTRIDGE STEM AND LOCATE THEM AS DESIRED. TIGHTEN HANDLE NUT TO 15-20 IN-LBS OF TORQUE.
- REPLACE HANDLE SCREWS AND COLOR INDEX BUTTONS.
- INSTALL AERATOR INTO FAUCET AND HAND TIGHTEN. IT MAY BE NECESSARY TO UNSCREW AND CLEAN AERATOR AT START-UP.

## MAINTENANCE

- YOUR ZURN AQUASPEC FAUCET HAS A HIGHLY POLISHED NICKEL CHROME PLATED FINISH. CLEAN WITH SOAP AND WATER OR A MILD CLEANER WHICH IS SAFE FOR CHROME PLATING. DO NOT USE ACIDS OR TOILET BOWL CLEANER AS THEY WILL DAMAGE THE FINISH.
- AQUASPEC FAUCETS CONTAIN CERAMIC DISK CARTRIDGES WHICH REQUIRE NO MAINTENANCE. TO REMOVE THE CARTRIDGE, SHUT THE WATER OFF, LOOSEN THE HANDLE NUTS AND PULL UP ON THE CARTRIDGE.

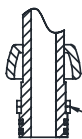
## REPLACEMENT PARTS

COLD WATER CARTRIDGE	59517005
HOT WATER CARTRIDGE	59517006
INDEX BUTTONS	G60500

**Z812A1-XL PICTURED**

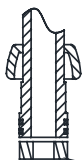
**Z812A1-XL-P PICTURED**

SWING SPOUT CONFIGURATION

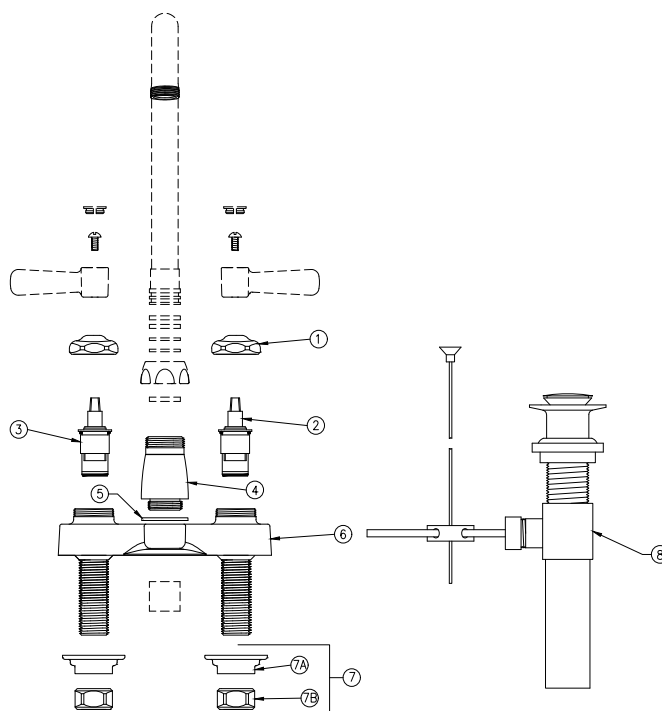
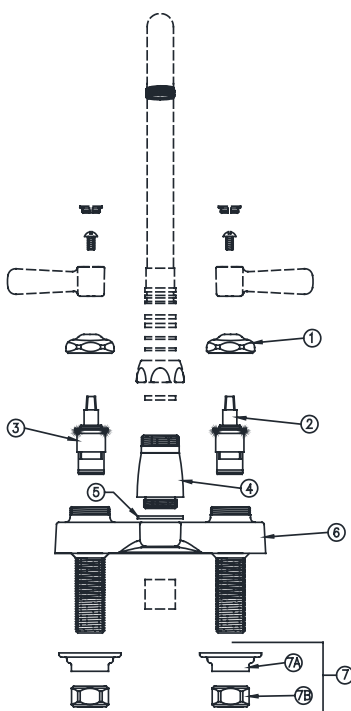


SPLIT WASHERS

RIGID SPOUT CONFIGURATION



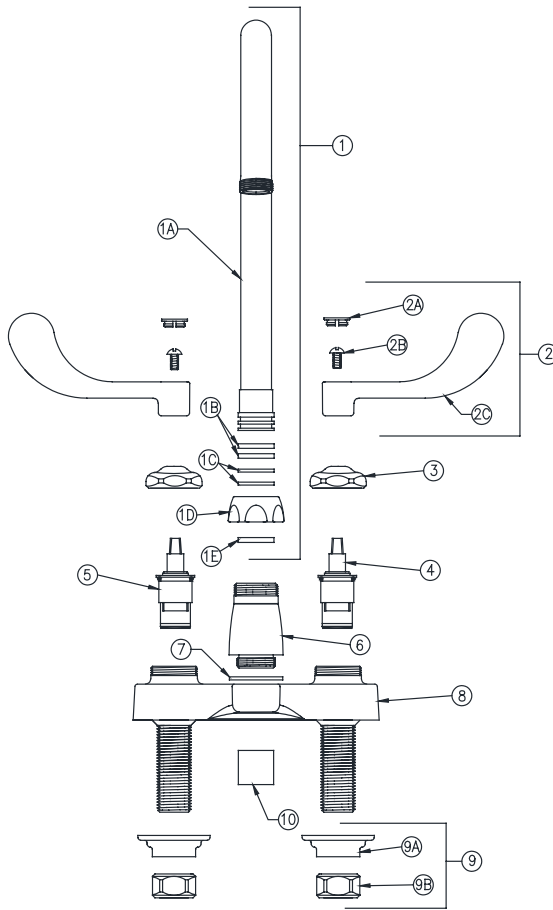
RIGID WASHER



Item	Part Number	Description	Qty.
1	59440001	Handle Nut	2
2	59517005	Short Cold Cartridge XL	1
3	59517006	Short Hot Cartridge XL	1
4	60467005	Base XL	1
5	58155019	O-Ring	1
6	60454004	4" Centerset Gooseneck Body XL	1
7	GP60502	Mounting Hardware Bag	1
7A	G68042	Shank Nut Hardware Bag	1
7B	G68043	1/2" NPSM Riser Nut Bag	1

Item	Part Number	Description	Qty.
1	59440001	Handle Nut	2
2	59517005	Short Cold Cartridge XL	1
3	59517006	Short Hot Cartridge XL	1
4	60467005	Base XL	1
5	58155019	O-Ring	1
6	60454005	4" Centerset Gooseneck Body XL	1
7	GP60502	Mounting Hardware Bag	1
7A	G68042	Shank Nut Hardware Bag	1
7B	G68043	1/2" NPSM Riser Nut Bag	1
8	60505001	Pop-up Drain Assembly	1

**Z812B4-XL PICTURED**



Item	Part Number	Description	Qty.
1	G67852	5-3/8" Centerline Gooseneck 'B' Spout Assembly XL	1
1A	92866002	5-3/8" Centerline Gooseneck Spout	1
1B	58155018	O-Rings	2
1C	59666001	Plastic Split Washers (Swing)	2
1D	59435001	Spout Nut	1
1E	59436001	Spacer Washer (Rigid)	1
2	GP68091	4" [102mm] Vandal-Resistant Metal Wrist Blade Handles	1
2A	G60500	Hot/Cold Color-Coded Indexes	1
	59454001	Hot Index	1
	59454002	Cold Index	1
2B	62464001	10-32 Screw	2
2C	59453001	Wrist Blade Handle	2
3	59440001	Handle Nut	2
4	59517005	Short Cold Cartridge XL	1
5	59517006	Short Hot Cartridge XL	1
6	60467005	Base XL	1
7	58155019	O-Ring	1
8	60454004	4" Centerset Gooseneck Body XL	1
9	GP60502	Mounting Hardware	1
9A	G68042	Mounting Nut	1
9B	G68043	1/2" NPSM Riser Nut	1
10	G63504	3/4"-27 Female Aerator - 2.2 GPM [8.3 L]	1

Rev. F | Date: 11/21/22 | C.N. No. 144877 | Prod./Dwg. No. CF1170

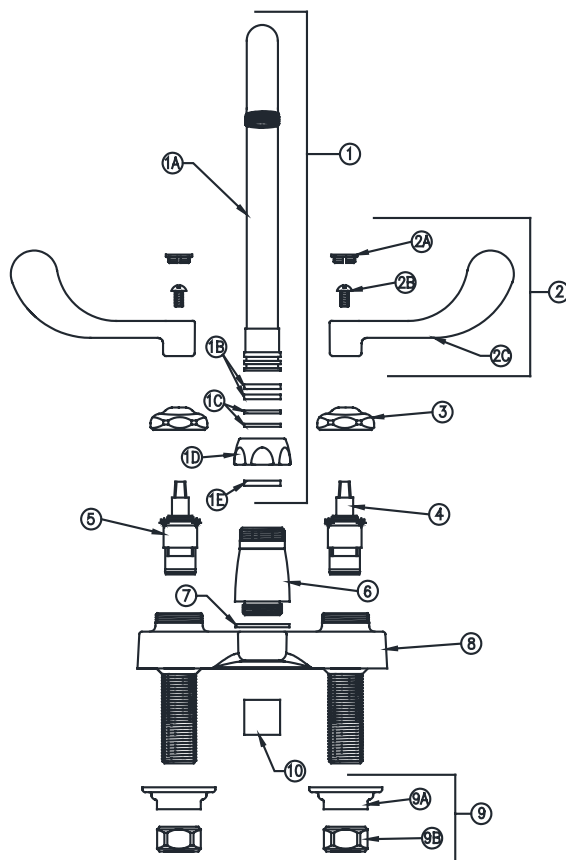
Patent [zurn.com/patents](http://zurn.com/patents)

US 1.855.ONE.ZURN CANADA 1.877.892.5216

**ZURN.COM**

by **ZURN ELKAY** Water Solutions

Z812A4-XL PICTURED



Item	Part Number	Description	Qty.
1	G67851	3-1/2" Centerline Gooseneck 'A' Spout Assembly	1
1A	92866001	3-1/2" Centerline Gooseneck Spout	1
1B	58155018	O-Rings	2
1C	59666001	Plastic Split Washers (Swing)	2
1D	59435001	Spout Nut	1
1E	59436001	Spacer Washer (Rigid)	1
2	GP68091	4" [102mm] Vandal-Resistant Metal Wrist Blade Handles	1
2A	G60500	Hot/Cold Color-Coded Indexes	1
	59454001	Hot Index	1
	59454002	Cold Index	1
2B	62464001	10-32 Screw	2
2C	59453001	Wrist Blade Handle	2
3	59440001	Handle Nut	2
4	59517005	Short Cold Cartridge	1
5	59517006	Short Hot Cartridge	1
6	60467005	Base	1
7	58155019	O-Ring	1
8	60454004	4" Centerset Gooseneck Body XL	1
9	GP60502	Mounting Hardware	1
9A	G68042	Mounting Nut	1
9B	G68043	1/2" NPSM Riser Nut	1
10	G63504	3/4"-27 Female Aerator - 2.2 GPM [8.3 L]	1

Rev. F | Date: 11/21/22 | C.N. No. 144877 | Prod./Dwg. No. CF1170

Patent [zurn.com/patents](http://zurn.com/patents)

US 1.855.ONE.ZURN CANADA 1.877.892.5216

[ZURN.COM](http://ZURN.COM)

by **ZURN ELKAY** Water Solutions